



TRACTOR ACCESSORIES

Towing Components:

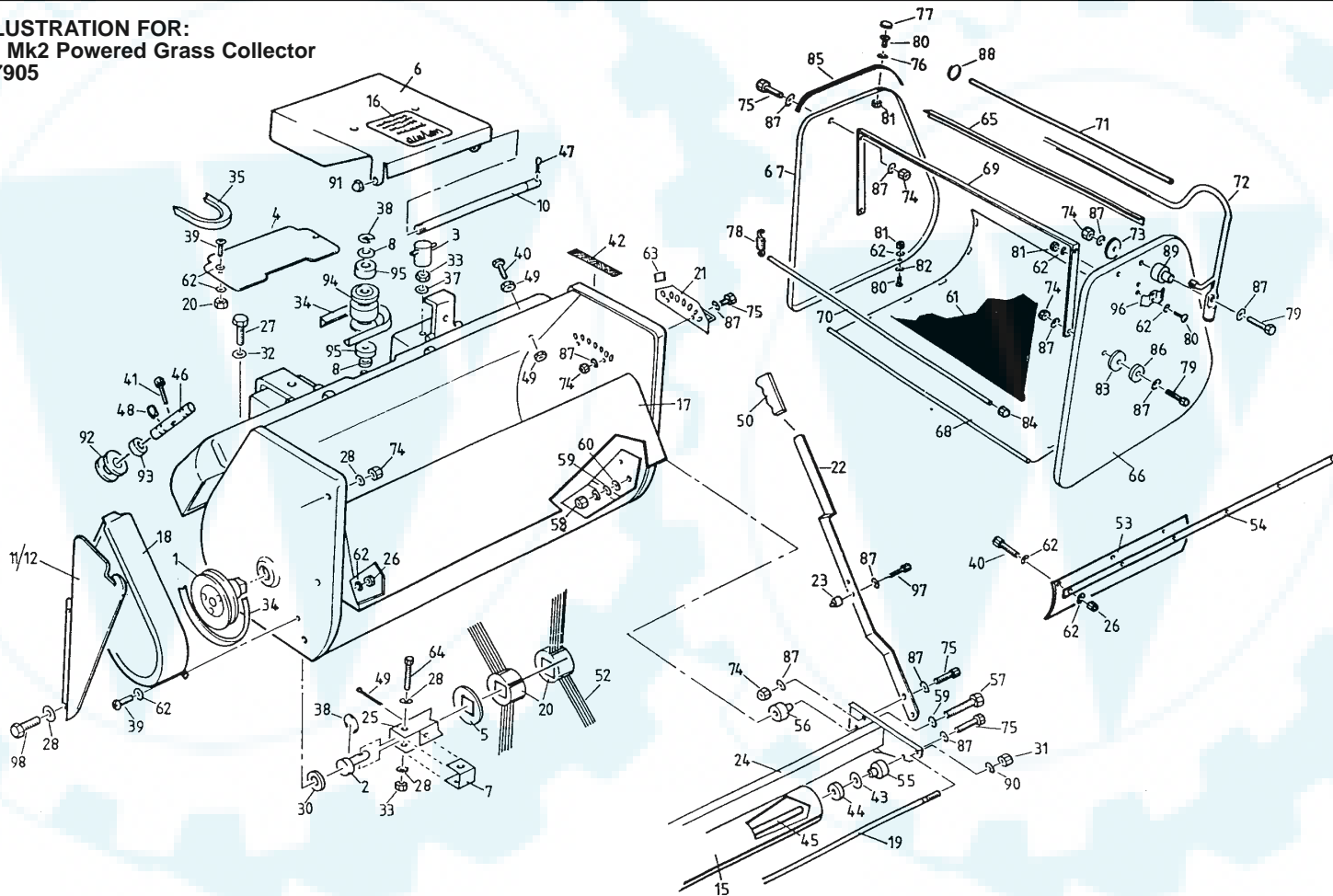
Tow Ball 3344 (Bolt 1054)

Tow Pin 1399

Tow Hitch 2246



PARTS ILLUSTRATION FOR:
"T" Series Mk2 Powered Grass Collector
Type No. 7905



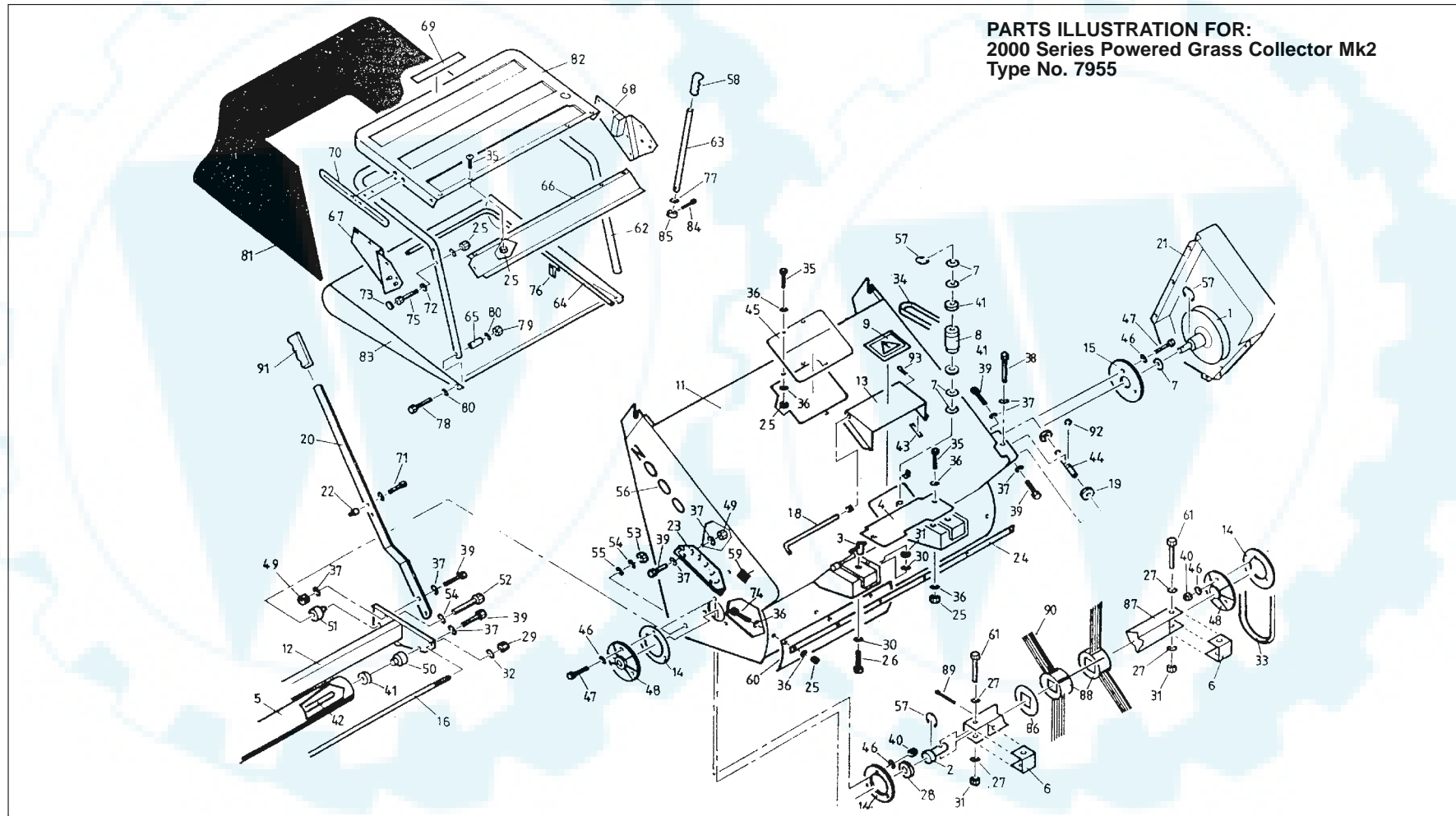


PARTS LIST FOR: "T" Series Mk2 Powered Grass Collector – Type No. 7905

Item	Part No	Description	Qty
1	3078	Pulley 5"	1
2	3083	Shaft, Brush Stock	1
3	3127	Tommy Bar & Nut	2
	3610	Bolt (For item 3)	1
4	3176	Cover	1
5	6103	Washer	2
6	8514	Guard Drive Belt	1
7	3213	Adaptor, Brush Stock	2
8	3712	Wheel Washer, Thin	6
9	3713	Wheel Washer, Thick	2
10	4826	Rod, Drive Cover	1
11	4829	L/H Support	1
12	4830	R/H Support	1
13	6837	Idler Pulley cw Bearing (See items 92 & 93)	2
14	6844	Driven Pulley cw Bearing (See items 94 & 95)	1
15	3194	Roller Assembly	1
16	4968	Label, Caution	2
17	7924	Body Assembly	1
18	7927	Pulley/Belt Guard	1
19	7488	Scraper Cable	1
20	6105	Bristle Holder	17
21	7910	Quadrant	1
22	7912	Height Adjuster Handle	1
23	7915	Location Pin	1
24	7933	Rear Axle	1
25	6104	Brush Stock	1
26	1053	Nut, 2BA Nyloc	8
27	1054	Bolt, 3/8" UNF X 1"	2
28	1105	Washer, 5/16" dia. T3L	8
29	1156	Setscrew, 1/4" UNF x 3/4"	2
30	1180	Bearing, 6205-2R	2
31	1270	Nut, 1/4" UNF Nyloc	2
32	1323	Washer, 3/8" dia. T3LP	6

Item	Part No	Description	Qty
33	1324	Nut, 3/8" UNF Nyloc	4
34	1414	Belt, Internal Drive	1
35	7701	Belt, PTO Drive	1
36	1631	Washer, 25mm dia.	2
37	1633	Washer 3/8" dia.	2
38	1663	"E" Clip, 3/4" dia.	1
39	1734	Screw, 2BA x 1/2"	1
40	1735	Screw, 2BA x 3/4"	2
41	1978	Bolt, 5/16" UNF X 2 1/2"	1
42	2056	Velcro, Hook	0.5m
43	2587	Washer, 1/2" T3LP	2
44	3031	Bearing, 6203-2R	2
45	3069	Shaft, Roller	1
46	3226	Shaft, Idler Pulley	1
47	4086	"R" Clip, Small	2
48	4204	Circlip, 5/8" 1400-16	4
49	1227	Split Pin, 1/8" x 1 3/4"	2
50	6083	Handgrip, 1/4"	1
51	6854	Setscrew, 5/16" UNF X 2 1/2"	1
52	5686	Bristle, Hytral	51
53	7788	Flap, Neoprene	1
54	7789	Fixing Plate	1
55	7482	Roller Spacer	2
56	7486	Roller Axle Spacer	2
57	7494	Bolt, M16 X 50 Long	2
58	7495	Nut, M16 Plain	2
59	7496	Washer, M16 Shakeproof	2
60	7497	Washer, M16	2
61	7747	Bag Net	1
62	1962	Washer, 2BA T1	11
63	7939	Label, Height Adjuster	1
64	1997	Bolt, 3/8" UNF x 1"	2
65	3218	Channel Rear	1
66	3088	End Panel L/H	1
67	3093	End Panel R/H	1

Item	Part No	Description	Qty
68	3104	Base Panel	1
69	3219	Channel, Front	1
70	4827	Rod, Bag Net Front	1
71	4828	Rod, Bag Net Rear	1
72	3144	Tipper Handle	1
73	1666	Washer	2
74	1273	Nut, 5/16" Nyloc	6
75	1982	Setscrew, 5/16" UNF x 3/4"	6
76	3091	Washer, Unicap 64	10
77	3092	Unicap 64, Black	10
78	3101	Spring	2
79	3608	Setscrew, 5/16" UNF x 1 1/4"	4
80	3710	Screw, M4 x 12mm	22
81	3711	Nut, M4 Nyloc	22
82	4041	Washer, M4	32
83	4124	Washer, 3/8"	2
84	4831	1/4" Starlock Chrome	4
85	2056	Velcro, Hook	2m
86	3097	Pivot Bush	2
87	1970	Washer, 5/16" T4L	20
88	1945	Split Ring, 1" dia.	2
89	3108	Bush	2
90	1331	Washer, 1/4" dia.	2
91	3102	Nut, Domed 1/4" UNC	1
92	3225	Idler Pulley	2
93	3229	Bearing	2
94	3029	Pulley Driven	1
95	3031	Bearing	2
96	3153	Clip, Tipper Lever	1
97	2764	Bolt, M8 x 20mm	1
98	1335	Bolt, 5/16" UNF X 1 1/4"	2
	7700	Collector Box Assembly	1





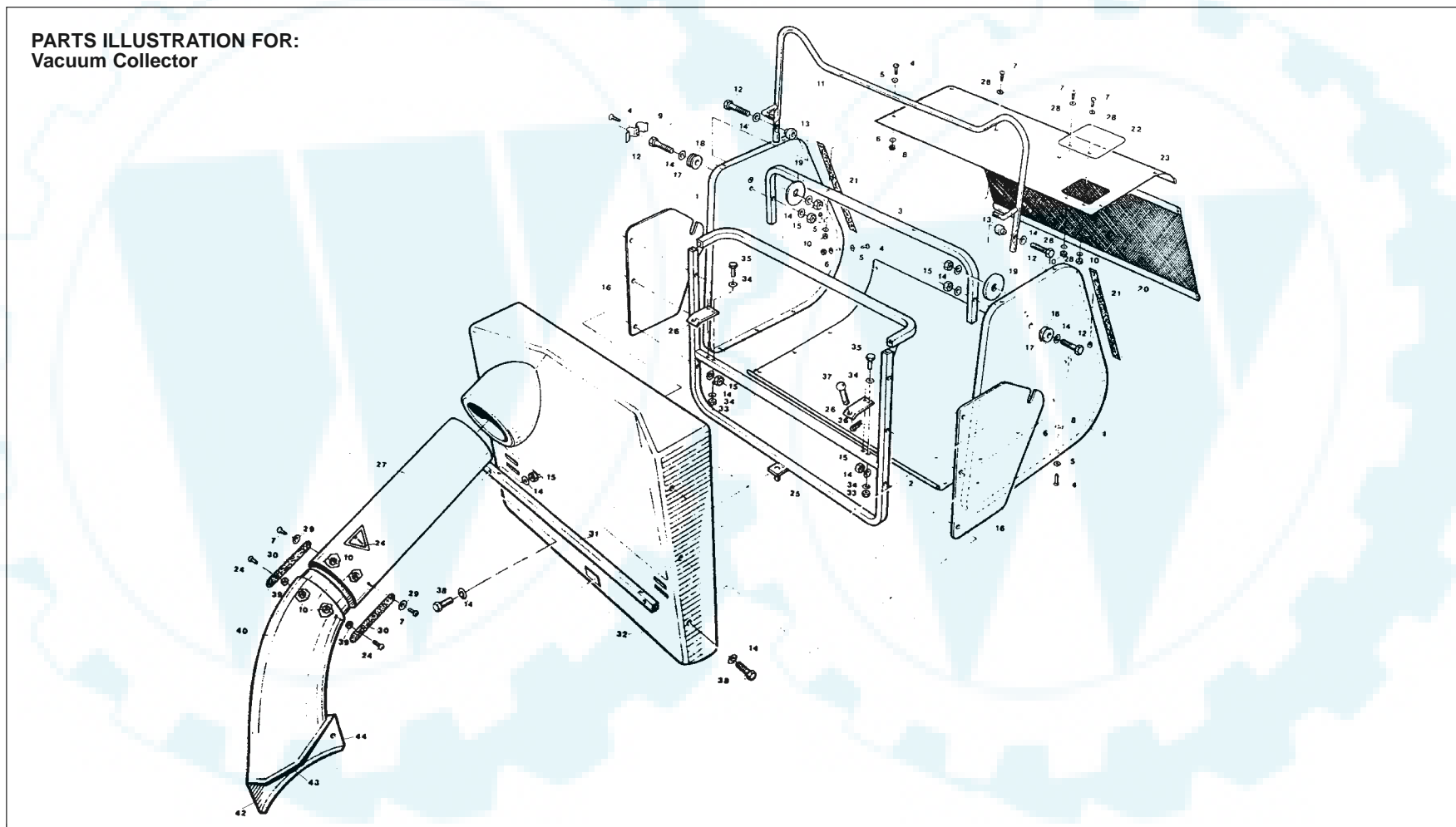
PARTS LIST FOR: 2000 Series Mk2 Powered Grass Collector – Type No. 7955

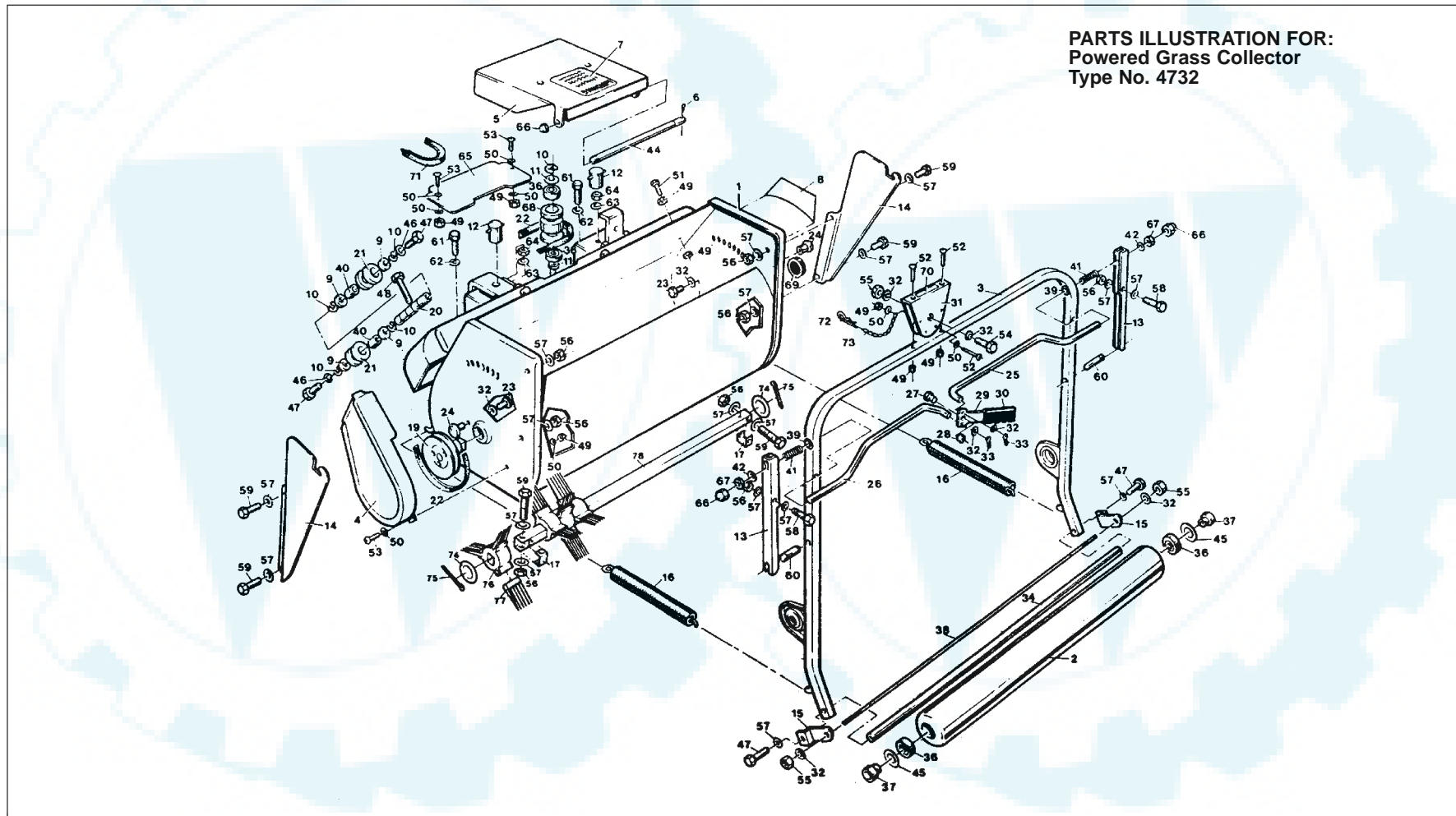
Item	Part No	Description	Qty
1	3078	Pully/Shaft Assembly	1
2	3083	Shaft, Brush Stock	1
3	3127	Tommy Bar & Nut	2
4	3176	Cover, Latch Box	1
5	3194	Roller Assembly	1
	RCL736022-00	Roller Assembly	1
6	3213	Brush Stock Adaptor	2
7	3712	Wheel Washer	6
8	7624	Pulley	1
9	4968	Label, Large Caution	1
10	5789	Brush Assembly	1
11	7940	Body Assembly	1
12	7933	Roller Axle Support	1
13	7480	Pulley Cover	1
14	7484	Distance Washer	3
15	7485	Washer	1
16	7488	Scraper Cable	1
17		Not Allocated	
18	7994	Rod, Drive Belt Cover	1
19	6837	Idler Pulley Assembly	2
20	7995	Height Adjuster Lever	1
21	7969	Pulley Cover	1
22	7915	Locating Pin	1
23	7910	Quadrant	1
24	7789	Fixing Plate	1
25	1053	Nut, 2BA Nyloc	17
26	1054	Bolt, 3/8" UNF x 1 1/2"	2
27	1105	Washer, 5/16" dia. T3LP	4
28	1180	Bearing, 6205-2RS	2
29	1270	Nut, 1/4" UNF Nyloc	2
30	1323	Washer, 3/8" dia. T3LP	8
31	1324	Nut, 3/8" UNF Nyloc	4
32	1331	Washer, 1/4" dia. T3LP	2
33	1414	Belt, Internal Drive	1
34	7701	Belt Cogged	1

Item	Part No	Description	Qty
35	1734	Screw, 2BA x 1/2" Pozipan	7
36	1962	Washer, 2BA T1	24
37	1970	Washer, 5/16" T4LP	3
38	1978	Bolt, 5/16" UNF x 2 1/2"	1
39	1982	Setscrew, 5/16" UNF x 3/4"	5
40	2044	Nut, M8 Nyloc	6
41	3031	Bearing 6203-2RS	2
42	3069	Roller Shaft	1
43	9003	Foam Tape	A/R
44	3226	Idler Pulley Shaft	1
45	3915	Flap	1
46	6122	Washer, M8 Form B	13
47	6330	Bolt, M8 x 25mm	6
48	6750	Bearing Housing	2
49	1273	Nut, 5/16" UNF Nyloc	4
50	7482	Roller Spacer	2
51	7486	Roller Axle Spacer	2
52	7494	Bolt, M16 x 50mm	2
53	7495	Fullnut, M16	2
54	7496	Washer, M16 Shakeproof	2
55	7497	Washer, M16 Plain	2
56	7506	Decal, "2000"	2
57	1663	"E" Clip, 3/4"	1
58	MX749	Handle Grip	1
59	7939	Height Adjuster Label	1
60	7788	Flap Neoprene	1
61	1997	Bolt, 3/8" UNF x 1 3/4"	2
62	7956	Grassbag Frame	1
63	7490	Tipping Handle	1
64	7958	Retaining Frame	2
65	7787	Spacer	2
66	7959	Top Cover Plate	1
67	7962	Pivot Assembly RH	1
68	7963	Pivot Assembly LH	1
69	7370	Decal, "Westwood"	1

Item	Part No	Description	Qty
70	7503	Decal, Coachline	2
71	2764	Bolt, M8 x 20mm	1
72	3091	Washer, Unicap 64	2
73	3092	Black Unicap 64	2
74	1735	Screw, 2BA x 3/4" Pozipan	6
75	3612	Screw, No. 12 x 3/4"	2
76	7564	Clip	2
77	MX965	"O" Ring	1
78	6375	Setscrew, M10 x 40mm	2
79	2761	Nut, M10 Nyloc	2
80	6125	Washer, M10 Form C	4
81	7965	Grassbag	1
82	7966	Top Cover	1
83	7957	Grassbag Base	1
84	2037	Screw, No. 6 x 1/2"	1
85	7992	Retaining Collar	1
86	6103	Washer*	2
87	6104	Brush Stock*	1
88	6105	Bristle Holder*	17
89	1227	Split Pin, 1/8" x 1 1/4"	2
90	5686	Bristle Comb*	51
91	6083	Handgrip	1
92	4204	Circlip	4
93	4086	"R" Clip	1
	7967	Collector Box	1

* These items form the complete brush assembly at Item 10





PARTS ILLUSTRATION FOR:
Powered Grass Collector
Type No. 4732



PARTS LISTS FOR: Powered Grass Collector – Type No. 4732

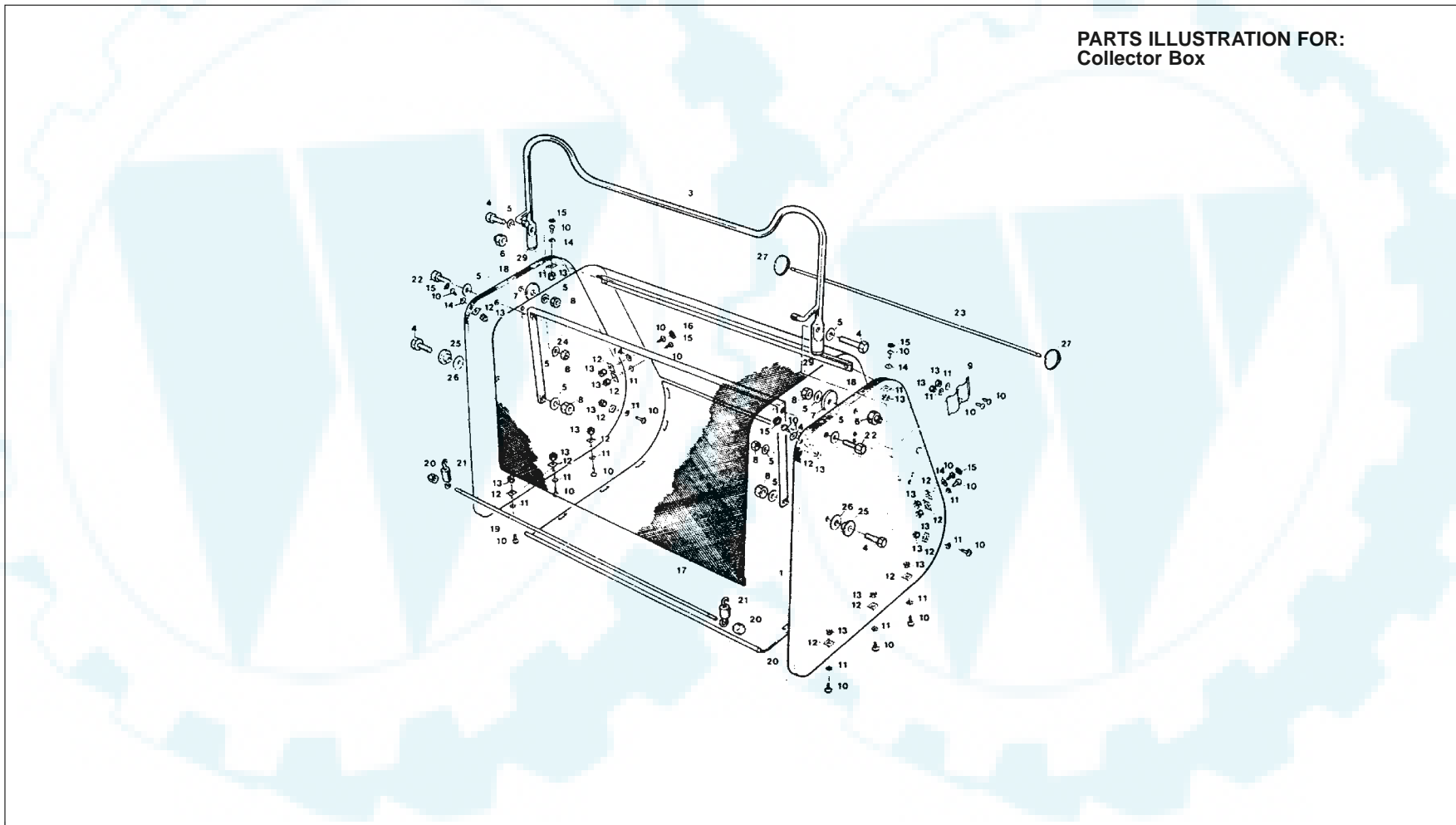
Item	Part No	Description	Qty
1	3156	Body Assembly	1
2	3194	Roller Assembly	1
3	3222	Height Adjusting Frame (Cowhorn)	1
	3157	Height Adjusting Frame Assembly	1
4	3158	Guard, Brush Drive Pulley	1
5	3188	Guard, Drive Pulley and Belt	1
6	4086	'R' Clip, 1/16" dia.	2
7	4968	Label, Hazard Warning (large)	1
8	3175	Label, Height Adjustments	1
9	3228	Spacer, Idler Pulleys	4
10	1663	'E' Clip	5
11	3712	Space Washer	6
12	3127	Wing Nut, Latch Assembly	2
13	3211	Latching Arms	2
14	4829	Collector Box, L/H Support Bracket	1
	4830	Collector Box, R/H Support Bracket	1
15	3206	Bracket, Cable Scraper	2
16	3142	Tension Spring	2
*17	3213	Bracket Brush Attachment	2
18	3083	Brush Shaft, R/H	1
19	3078	Pulley and Shaft, Brush Drive	1
20	3024	Shaft, Idler Pulley	1
21	3225	Pulley, Idler	2
22	1414	Belt, Brush Drive	1
23	1156	Setscrew 1/4" UNF x 3/4" long	2
24	3134	Boss, Cowhorn Retaining	2
25	3216	Rod, Height Adjuster Link, R/H, long	1
26	3215	Rod, Height Adjuster Link, L/H, short	1
27	3147	Bush Release Handle Pivot	1
28	3146	Spacer Release Handle	1
29	3145	Release Handle	1
30	1845	Grip, Release Handle	1
31	3152	Bracket, Release Handle	1
32	1331	Washer, 1/4" ID Plain (T3HP)	6
33	4192	Split Pin, 1/8" dia. a 1/2" long	2
34	3069	Shaft, Roller	1
35	1180	Bearing 52mm OD x 25mm ID	2

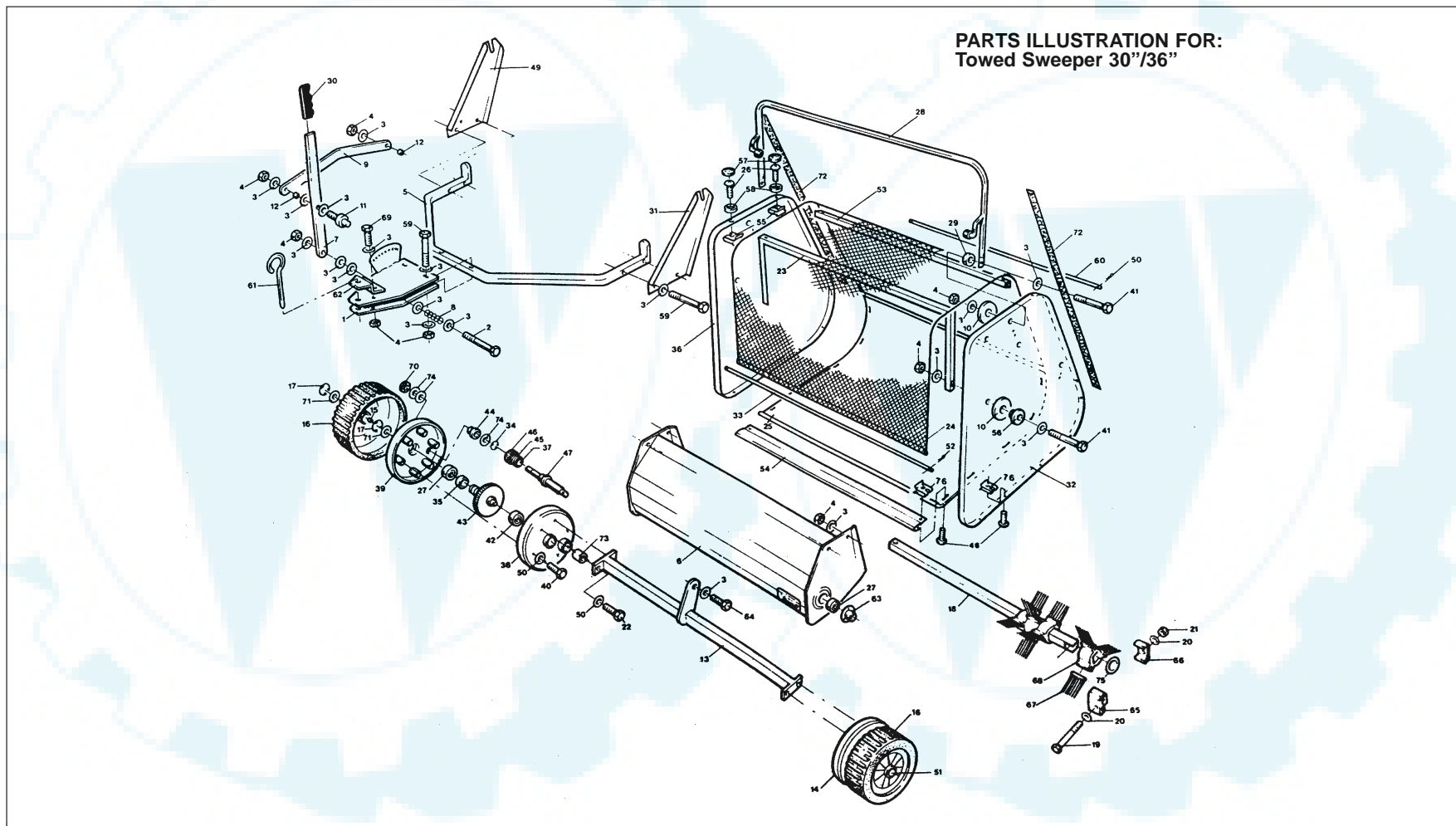
Item	Part No	Description	Qty
36	3031	Bearing 40mm OD x 17mm ID	4
37	3072	Spacer, Roller Shaft	2
38	3190	Cable, Roller Scraper	1
39	3223	Bush, Nylon	2
40	3229	Bearing 35mm OD x 17mm ID	2
41	1613	Spring Compression	2
42	3616	Washer 5/16" ID x 3/4" OD (T4HP)	2
*43	5789	Brush Assembly	1
44	4826	Rod, Drive Belt and Pulley Guard	1
45	M014-1301	Washer 1/2" ID x 1" OD (T3LP)	2
46	1970	Washer 5/16" ID x 3/4" OD (T4LP)	3
47	1982	Setscrew, 5/16" UNF x 3/4" long	6
48	1978	Setscrew 5/16" UNF x 2 1/2" long	1
49	1053	Nut 2BA Nyloc	8
50	1962	Washer 2BA plain	12
51	1735	Machine Screw 2BA x 3/4" long	2
52	4215	Machine Screw 2BA x 1 1/4" long	1
53	1734	Machine Screw 2BA x 1/2" long	3
54	2022	Bolt 1/4" UNF x 1 1/4" long	1
55	1270	Nut 1/4" UNF Nyloc	3
*56	1273	Nut 5/16" UNF Nyloc	8
*57	1105	Washer 5/16" ID x 5/8" OD (T4LP)	16
58	1321	Bolt 5/16" UNF x 1 1/2" long	2
*59	1335	Bolt 5/16" UNF x 1 1/4" long	4
60	3212	Pin, Arm Locking	2
61	1054	Bolt 3/8" UNF x 1 1/2" long	2
62	1323	Washer 3/8" ID x 3/4" OD (T3LP)	2
63	1633	Washer 3/8" ID Shakeproof	2
64	1324	Nut 3/8" UNF Nyloc	2
65	3176	Cover, Latch Box	1
66	3102	Nut Domed 1/4" UNC Nylon	2
67	4227	Nut 1/4" UNC Nyloc	2
68	3224	Pulley, Driven	1
69	3022	Hub Cap	1
70	4967	Label, Hazard Warning (small)	1
71	1464	Belt, PTO Drive (Dayco 1464-42-9979)	1
72	1225	'R' Clip	1

Item	Part No	Description	Qty
73	1878	Chain	1
*74	6103	Washer, Brush Stock	2
*75	1227	Split Pin, 1/8" x 1 3/4" long	2
*76	6105	Bristle Holder	17
*77	5686	Bristle	51
*78	6104	Brush Stock	1
		* These items from Brush Assembly Part No. 5789 (Item 43)	



**PARTS ILLUSTRATION FOR:
Collector Box**





PARTS ILLUSTRATION FOR:
Towed Sweeper 30"/36"



PARTS LIST FOR: Towed Sweeper 30"/36"

Item	Part No	Description	Qty
1	1822	Bracket, Tow Hitch	1
2	1321	Bolt 5/16" UNF x 1 1/2" LG	1
3	1105	Washer 5/16" Plain (T3L)	32
4	1273	Nut 5/16" UNF Nyloc	15
5	3180	Tow Frame 30"	1
	3181	Tow Frame 36"	1
6	1825	Sweeper Case 30"	1
	1826	Sweeper Case 36"	1
7	1827	Lever, Sweeper Height Adjustment	1
8	1613	Compression Spring	1
9	1828	Link, Angled	1
10	3195	Washer 5/16" ID x 1 1/2" OD	4
11	1848	Pin, Sweeper Height Setting	1
12	3329	Spacer 5/16" OD x 1/2" OD x 7/16" LG	2
13	3196	Bar, 30" Sweeper	1
	3197	Bar, 36" Sweeper	1
14	5095	Gearcase Assembly, LH	1
	5096	Gearcase Assembly, RH	1
15	1104	Key, Woodruff	2
16	1833	Wheel	2
17	1663	'E' Clip 3/4" dia. Shaft	4
*18	5627	Brush Stock, 30"	1
	5628	Brush, Stock, 36"	1
*19	1333	Bolt 1/4" UNF x 1 3/4" LG	2
*20	1331	Washer 1/4" plain (T3L)	4
*21	1270	Nut 1/4" UNF Nyloc	2
22	1982	Setscrew, 5/16" UNF x 3/4" LG	4
23	3095	Reinforcing Frame, Front 30"	1
	3089	Reinforcing Frame, Front 36"	1
24	3100	Net, 30" Sweeper	1
	3090	Net, 36" Sweeper	1
25	3104	Collector Base, 30" Sweeper	1
	3098	Collector Base, 36" Sweeper	1
26	1058	Screw, Self Tap, No.8	14
27	4714	Bearing, NSK 6203RS, 3/4"	2

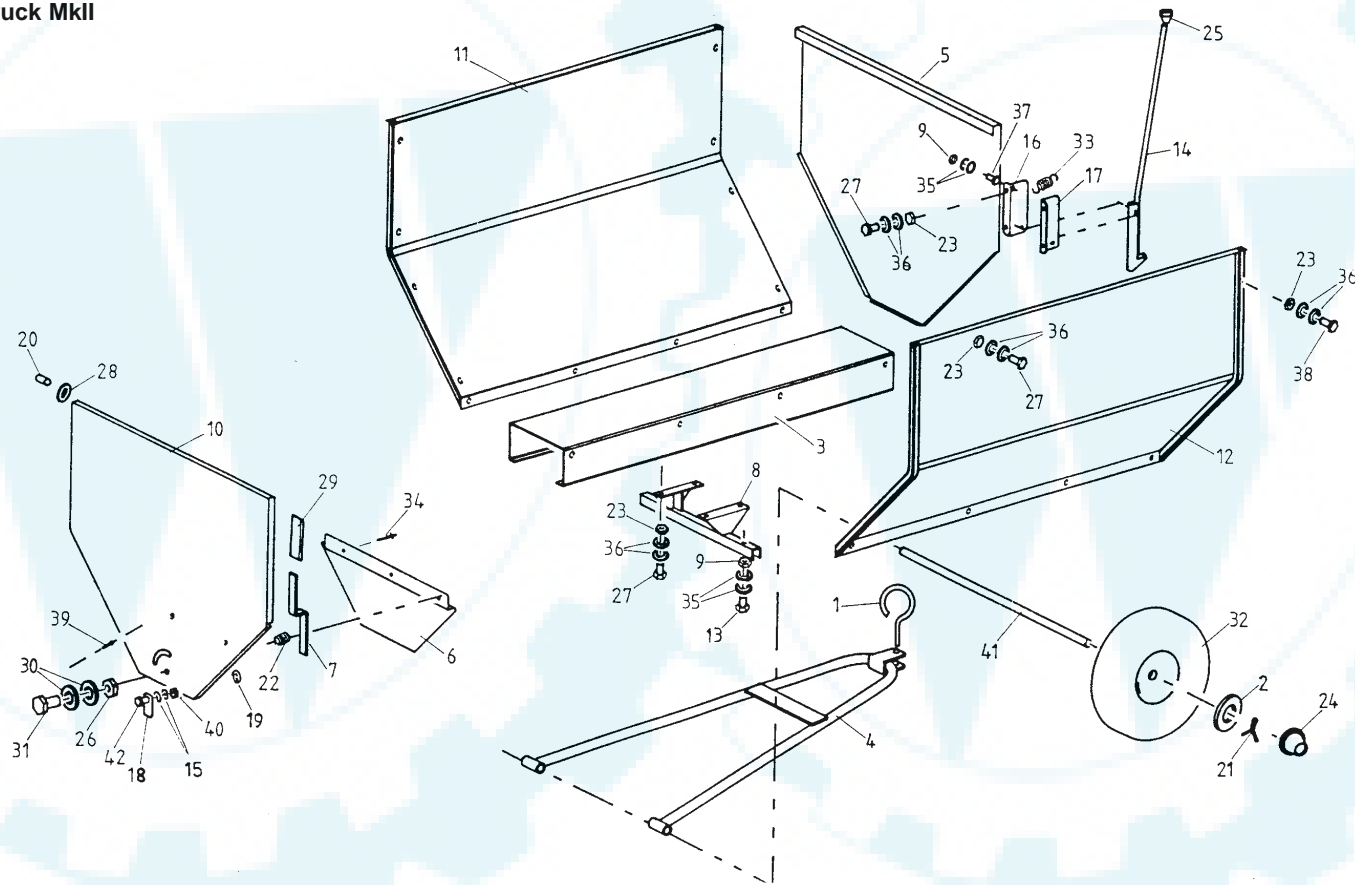
Item	Part No	Description	Qty
28	3105	Handle, Emptying 30"	1
	3099	Handle, Emptying 36"	1
29	3108	Pivot, Emptying Handle	2
30	1845	Handgrip	1
31	3135	Bracket Support, LH	1
32	3088	Collector Side Panel, LH	1
33	3111	Rod, Net, Front, 30" Sweeper	1
	3112	Rod, Net, Front, 36" Sweeper	1
34	4203	Circlip 1/2" dia. Shaft	2
35	4716	Spacer, 1" OD x 3/4" ID x 9/32" LG	2
36	3093	Collector Side Panel, RH	1
37	4713	Bush, Oilite 5/8" OD x 1/2" ID x 5/8" LG	2
38	3200	Gearcase, Inner	2
39	3201	Gearcase, Outer	2
40	1961	Setscrew 5/16" UNF x 1/2" LG	8
41	1335	Bolt 5/16" UNF x 1 1/4" LG	4
42	3031	Bearing, NSK 6203-2RS (17mm)	2
43	5416	Spur Gear Assembly	2
44	1860	Bush Flanged 1/2" ID x 5/8" OD x 1/2" LG	2
45	3852	Drive Spring, LH	1
	3853	Drive Spring, RH	1
46	3723	Spur Pinion	2
47	5562	Shaft, Spring Drive	2
48	3205	Bush Flanged 1 1/4" ID x 1 1/2" OD x 1" LG	2
49	3136	Bracket Support, RH	1
50	2048	Washer Shakeproof 5/16" dia.	12
51	2068	Hub Cap	2
52	4086	'R' Clip, Small	4
53	3094	Reinforcing Bar, 30" Sweeper	1
	5579	Reinforcing Bar, 36" Sweeper	1
54	3139	Closing Strip, 30" Sweeper	1
	3140	Closing Strip, 36" Sweeper	1
55	3038	'J' Type Nut	14
56	3097	Pivot Collector Box	2

Item	Part No	Description	Qty
57	3092	Plastic Cover, Self Tapping Screw	4
58	3091	Plastic Cup Washer	4
59	1266	Bolt 5/16" UNF x 1 3/4" long	6
60	5577	Rod, Net, Rear, 30" Sweeper	1
	5578	Rod, Net, Rear, 36" Sweeper	1
61	1399	Tow Hitch	1
62	1846	Bracket, Tow Hitch, Height Adjustment	1
63	5515	Bearing Housing	2
64	1327	Bolt, 5/16" UNF x 1" LG	1
*65	5516	End Clamp, Lower, Brush	2
*66	5517	End Clamp, Upper, Brush	2
*67	5509	Bristles (Strips of 8), 30" Sweeper	54
		Bristles (Strips of 8), 36" Sweeper	66
*68	5510	Bristle Holder, 30" Sweeper	18
		Bristle Holder, 36" Sweeper	22
69	1334	Bolt, 5/16" UNF x 3/4" LG	2
70	5576	Starlock 'Push-On' Fastener'	2
71	3712	Washer, 1" OD x 1/2" ID x 20G	4
72	3914	Net Fastener, Velcro	2
73	5559	Clutch Housing Tube	2
74	2587	Washer	6
75	1631	Washer, 42mm OD x 25mm ID x 16G	2
76	3711	Nut, M4 Nyloc	10

*These items form Brush Assembly
30" Part No.5511
36" Part No.5512



PARTS ILLUSTRATION FOR:
10cwt Dump Truck MkII
Type No. 8093





PARTS LIST FOR:
10cwt Dump Truck MkII – Type No. 8093

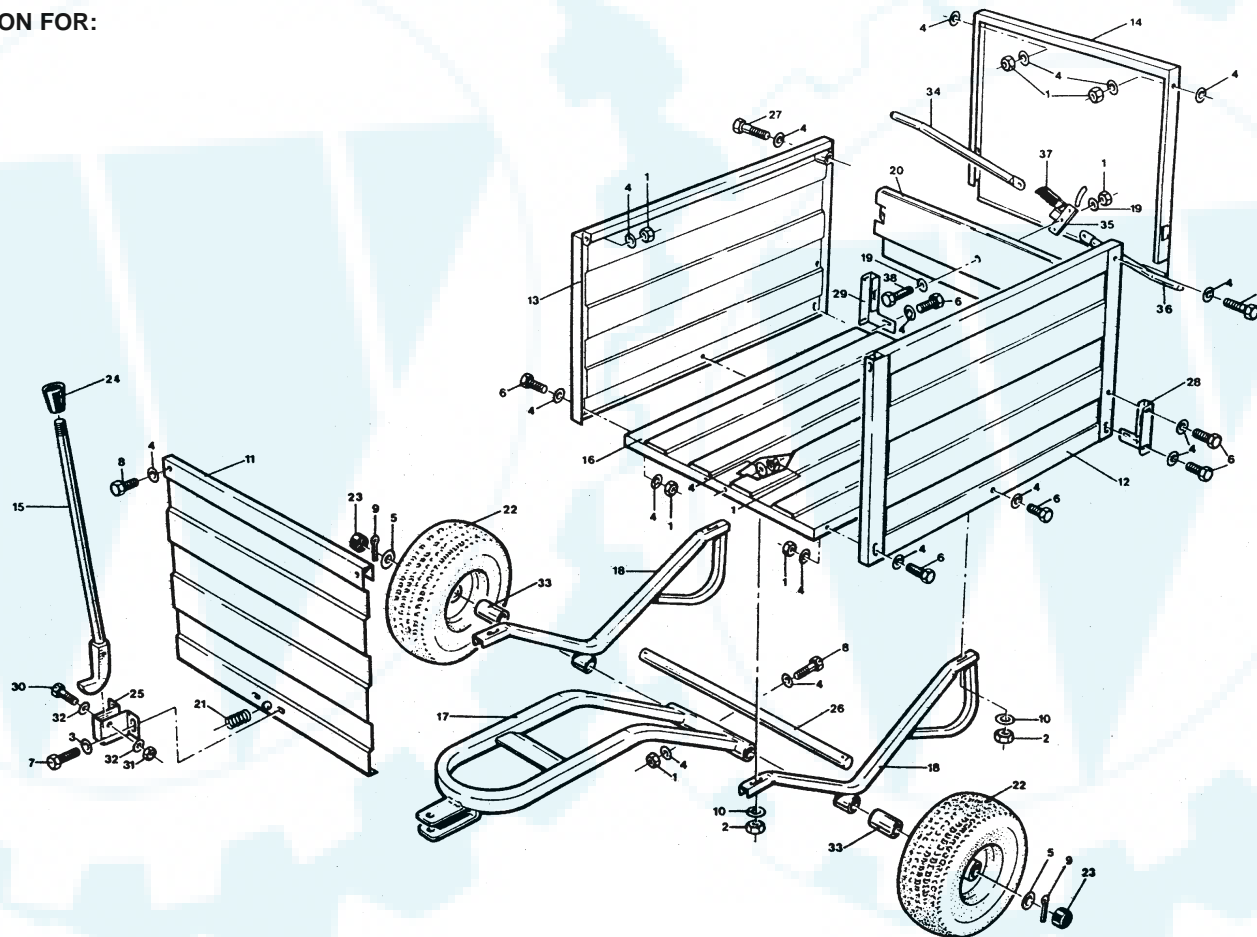
Item	Part No	Description	Qty
1	1399	Pin, Tow Hitch	1
2	3712	Washer, Wheel	2
3	8096	Chassis	1
4	8112	Tow Frame	1
5	8102	Panel, Front	1
6	8115	Cover, Tailgate Lever	1
7	8116	Lever, Tailgate	1
8	8117	Bracket, Axle	1
9	089-06	Nut, M6	4
10	8110	Panel, Tailgate	1
11	8125	Panel, Body Left Hand	1
12	8125	Panel, Body Right Hand	1
13	030-0635	Bolt, M6 x 35	2
14	8131	Lever, Tipping	1
15	009-0501	Washer	1
16	8133	Bracket, Left Hand	1
17	8134	Bracket, Right Hand	1
18	8138	Stop, Tailgate	2
19	8139	Washer	4
20	8137	Bush Pivot	2
21	1227	Split Pin, ½" dia.	2
22	1613	Spring	1
23	2044	Nut, M8 Nyloc	32
24	2068	Hub Cap	2
25	2649	Knob	1
26	2761	Nut, M10 Nyloc	1
27	2764	Setscrew, M8 x 25	20
28	3635	Washer	2
29	6083	Handgrip	1
30	6125	Washer, M10	2
31	6375	Setscrew, M20 x 45	1
32	7520	Wheel Assembly	2
33	M4171	Spring	1
34	MX527	Rivet, Avex	3
35	011-0601	Washer	8

Item	Part No	Description	Qty
36	011-0801	Washer, M8	58
37	030-0640	Bolt, M6 x 40	2
38	030-0835	Bolt, M8 x 35	8
39	7558	Rivet c/w Washer	2
40	3689	Nut, M5 Nyloc	4
41	8097	Axle	1
42	081-0520	Screw, Poziapn	4

Item	Part No	Description	Qty
------	---------	-------------	-----



**PARTS ILLUSTRATION FOR:
10cwt Dump Truck**





**PARTS LIST FOR:
10cwt Dump Truck**

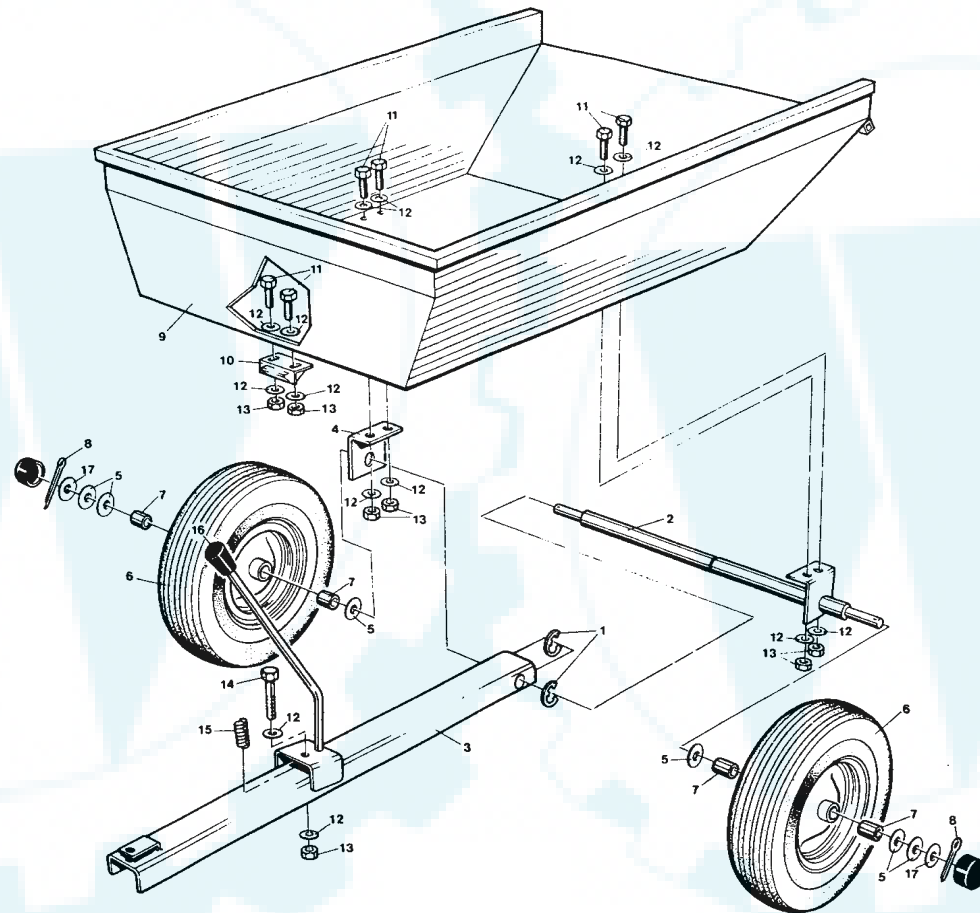
Item	Part No	Description	Qty
1	1273	Nut ⁵ / ₁₆ " UNF Nyloc	14
2	1324	Nut ³ / ₈ " UNF Nyloc	4
3	1105	Washer ⁵ / ₁₆ " Plain (T3L)	2
4	1970	Washer ⁵ / ₁₆ " ID x ³ / ₄ " OD (T4L)	30
5	3712	Washer 33mm OD x ⁴⁸ / ₆₄ " ID x 20G Galv	2
6	1982	Setscrew ⁵ / ₁₆ " UNF x ³ / ₄ " LG	10
7	2031	Setscrew ⁵ / ₁₆ " UNF x 1" LG	2
8	1266	Bolt ⁵ / ₁₆ " UNF x 1 ³ / ₄ " LG	2
9	1227	Split Pin ¹ / ₈ " dia. x 1 ³ / ₄ " LG	2
10	1323	Washer ³ / ₈ " dia. Plain (T3L)	4
11	4020	Front Panel	1
12	4021	Side Panel LH	1
13	4022	Side Panel RH	1
14	5583	Tailgate	1
15	4032	Lever Tipping	1
16	4025	Floor Panel Assembly	1
17	4037	Draw Bar/Axle Assembly	1
18	4097	Axle Frame Assembly	2
19	5561	Washer, Nylon	2
20	5563	Tailgate Latch Housing	1
21	3161	Compression Spring	1
22	4040	Wheel Assembly, CW Tyre	2
23	2068	Hub Cap	2
24	1583	Knob	1
25	4031	Bracket, Lever Tipping	1
26	4036	Axle	1
27	1318	Bolt ⁵ / ₁₆ " UNF x 2" LG	2
28	5570	Latch & Stiffener Bracket, LH	1
29	5571	Latch & Stiffener Bracket, RH	1
30	2022	Bolt ¹ / ₄ " UNF x 1 ¹ / ₄ " LG	1
31	1270	Nut, ¹ / ₄ " UNF Nyloc	1
32	1331	Washer, ¹ / ₄ " (T3L)	2
33	5565	Axle Spacer	2
34	5568	Tailgate Latch Rod, RH, long	1

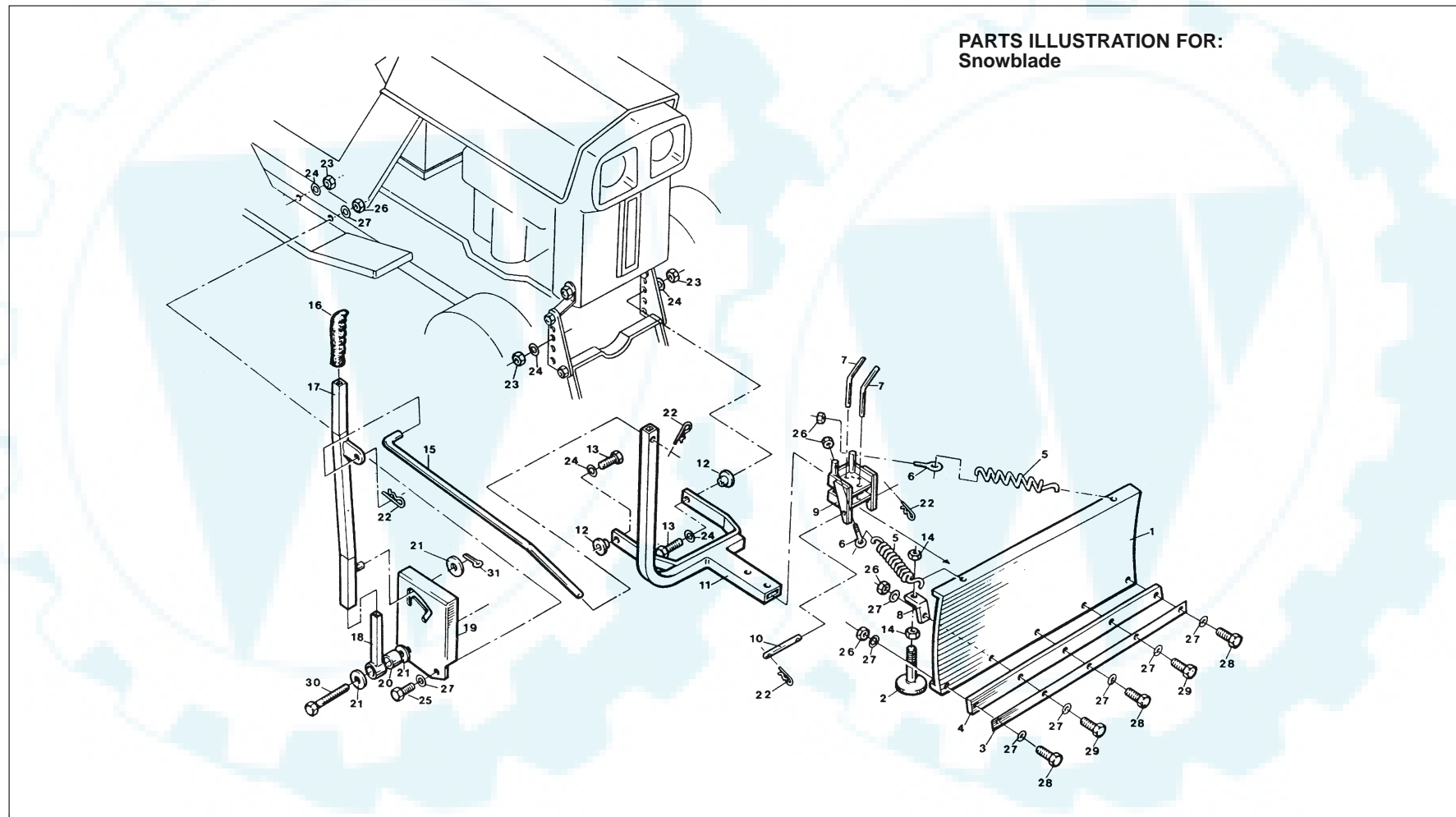
Item	Part No	Description	Qty
35	5569	Tailgate Handle	1
36	5567	Tailgate Latch Rod, LH, short	1
37	1845	Handgrip	1
38	1334	Bolt, ⁵ / ₁₆ " UNF x ³ / ₄ " LG	1

Item	Part No	Description	Qty
------	---------	-------------	-----



**PARTS ILLUSTRATION FOR:
8cwt Dump Truck**





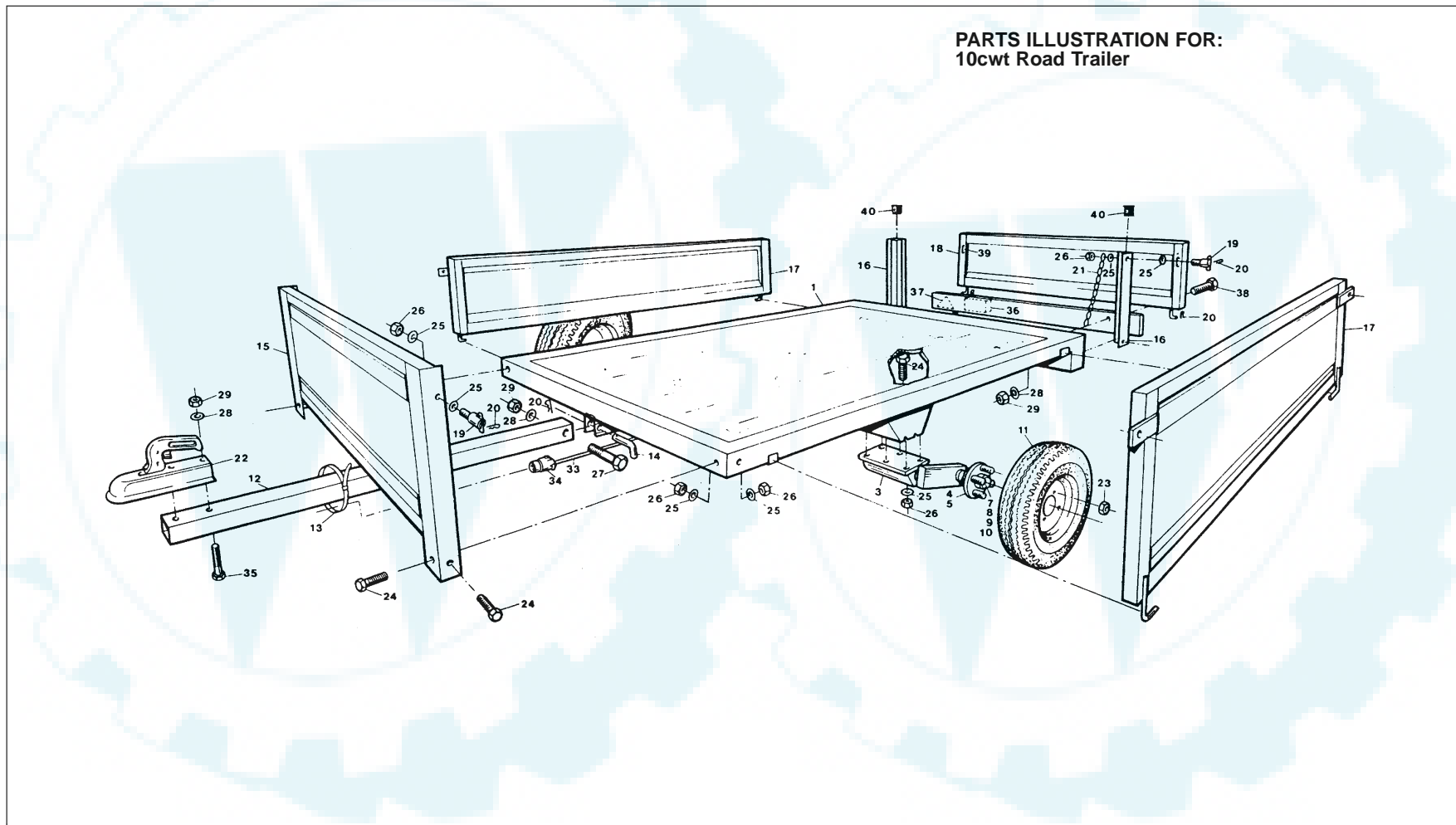


PARTS LIST FOR: Snowblade

Item	Part No	Description	Qty
1	4000	Snowblade	1
2	4001	Snowblade Skid	1
3	4002	Retaining Strip	1
4	4003	Rubber Strip	1
5	4004	Helicoil Spring	2
6	4005	Eye Bolt	2
7	4006	Pin Blade Angle/Pivot	2
8	4007	Bracket, Skid	2
9	4008	Bracket, Snowblade Mounting	1
10	4009	Pivot Pin	1
11*	8332	Yoke	1
11A	8190	Yoke Arm	1
12	4011	Pivot Bush	2
13	1054	Bolt 3/8" x 1 1/2" LG	2
14	2041	Nut 1/2" Whitworth	4
15	4012	Rod Actuating	1
16	6083	Handgrip	1
17	4014	Lever, Right Hand	1
17A	7294	Lever, Left Hand	1
18	4015	Lever Pivot	1
19	4016	Quadrant, Right Hand	1
19A	7295	Quadrant, Left Hand	1
20	3574	Boss, Lever Pivot	1
21	2789	Washer 3/8" ID x 1 1/8" OD	1
22	1225	'R' Clip	4
23	1324	Nut 1/8" UNF Nyloc	3
24	1323	Washer 3/8" plain (T3LP)	5
25	1982	Setscrew 5/16" UNF x 3/4" LG	1
26	1273	Nut 5/16" UNF Nyloc	8
27	1105	Washer 5/16" Plain (T3LP)	14
28	1335	Bolt 5/16" UNF x 1 1/4" LG Hex HD	3
29	1321	Bolt 5/16" UNF x 1 1/2" LG	2
30	1319	Bolt 3/8" UNF x 2" Hex HD	1

Item	Part No	Description	Qty
		* Item 11 also available as bolt on lever	
	4010	Yoke	1
	8332	Yoke (if lever is bolted on)	1
	8190	Lever	1
		Items 17A and 19A make 7405 left hand kit	

Item	Part No	Description	Qty



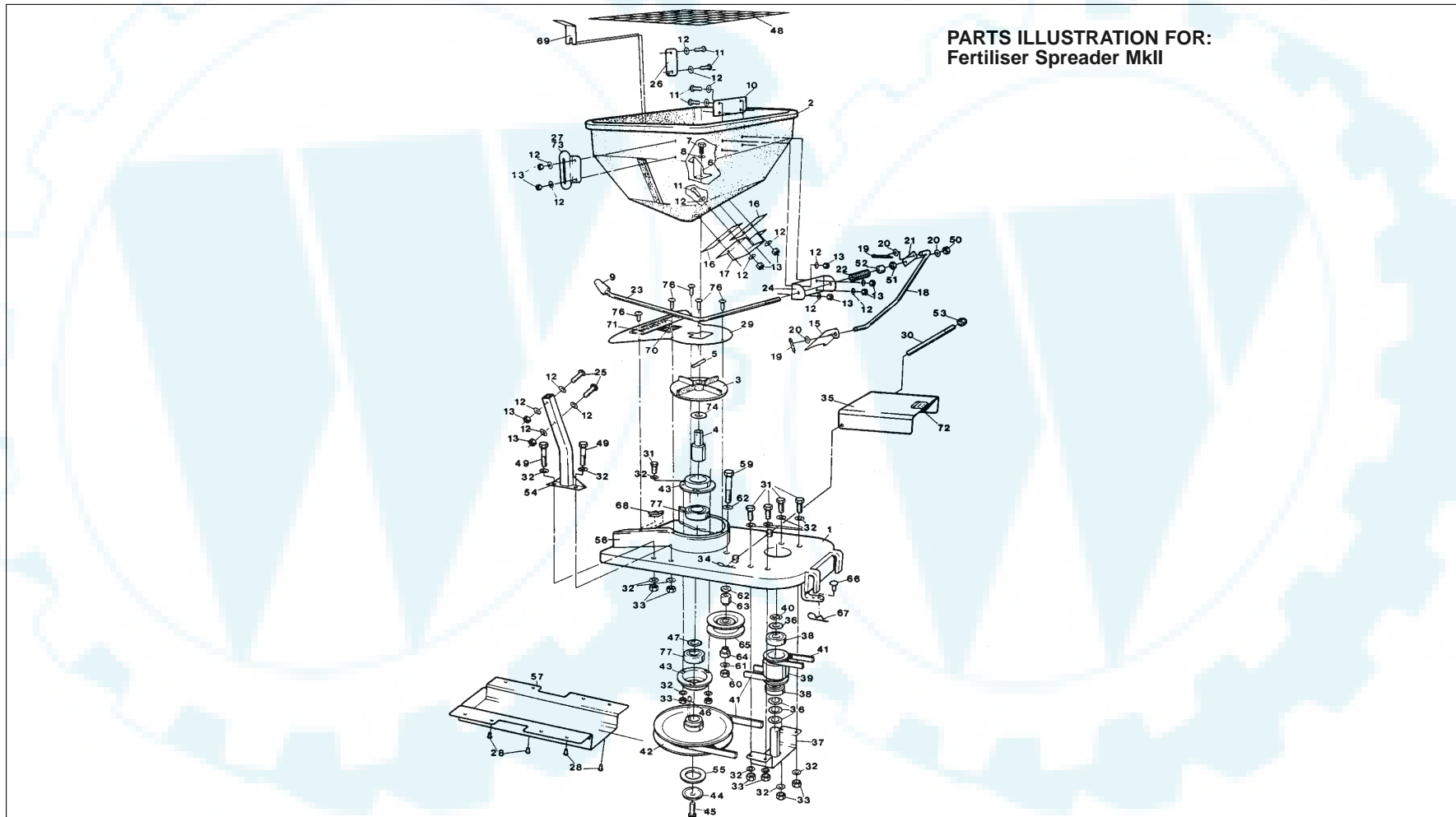


PARTS LIST FOR: 10cwt Road Trailer

Item	Part No	Description	Qty
1	4162	Plywood Base Assembly	1
2	4163	Mudguard (Not Illustrated)	2
3	2721	Suspension Unit, LH	1
3	2723	Suspension Unit, RH	1
4	4164	Wheel Bearings	4
5	4165	Wheel Hub	2
6	4164	Corner Post, R/H	1
7	4166	Washer, Wheel Hub	2
8	4167	Nut 5/8" BSF Castellated	2
9	4168	Split Pin 5/32" dia.	2
10	4169	Grease Cap	2
11	4170	Wheel Rim and Tyre Assembly	2
12	4171	Draw Bar	1
13		Tie Wraps	5
14	4172	Pin Tipping Release	1
15	4173	Front Panel	1
16	4174	Rear Corner Post, LH	1
17	4176	Side Panel	2
18	4177	Tailgate	1
19	2756	Antiluce Fasteners	6
20	1225	'R' Clip	13
21	4178	Chain Links	2
22	2728	Towing Hitch	1
23	2759	Wheel Nuts	8
24	4179	Setscrew M8 x 25	20
25	4180	Washers M8	20
26	2765	Nut M8 Nyloc	20
27	4181	Bolt M10 x 120	1
28	4182	Washer M10	3
29	2761	Nut M10 Nyloc	3
30	4183	Roof Bolt x 25 (Mudguard Attachment)	4
31	2763	Washer M6 (Mudguard Attachment)	4
32	2767	Nut M6 Nyloc (Mudguard Attachment)	4
33	4184	Wiring Harness	1
34	2729	Plug 7 Pin	1

Item	Part No	Description	Qty
35	4185	Setscrew M10 x 70	2
36	4187	Light Unit	2
37	2753	Reflector Triangle	2
38	4186	Setscrew M10 x 30	2
39	4188	Clip Plastic	2
40	4241	Plug Corner Post	2

Item	Part No	Description	Qty



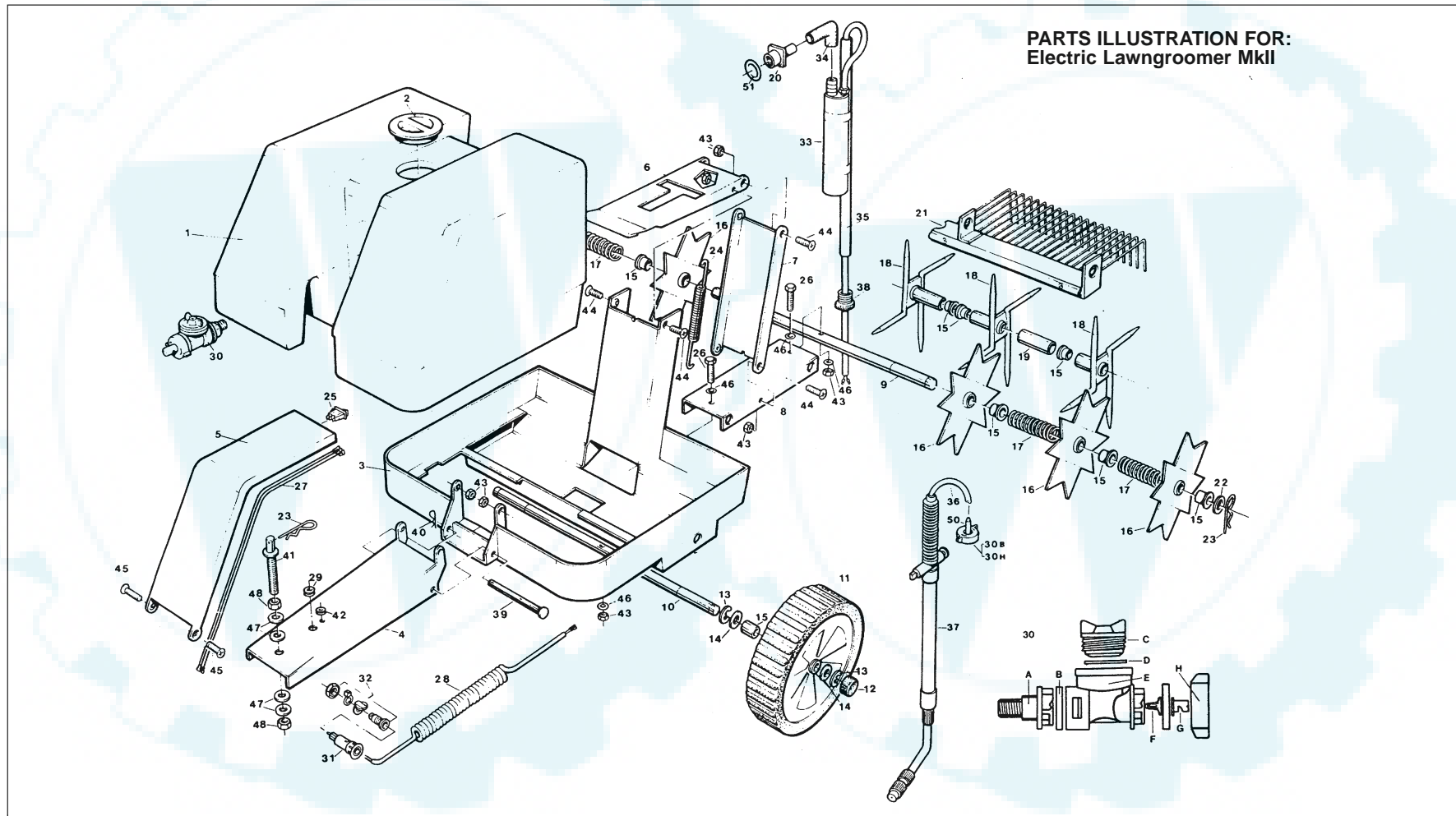


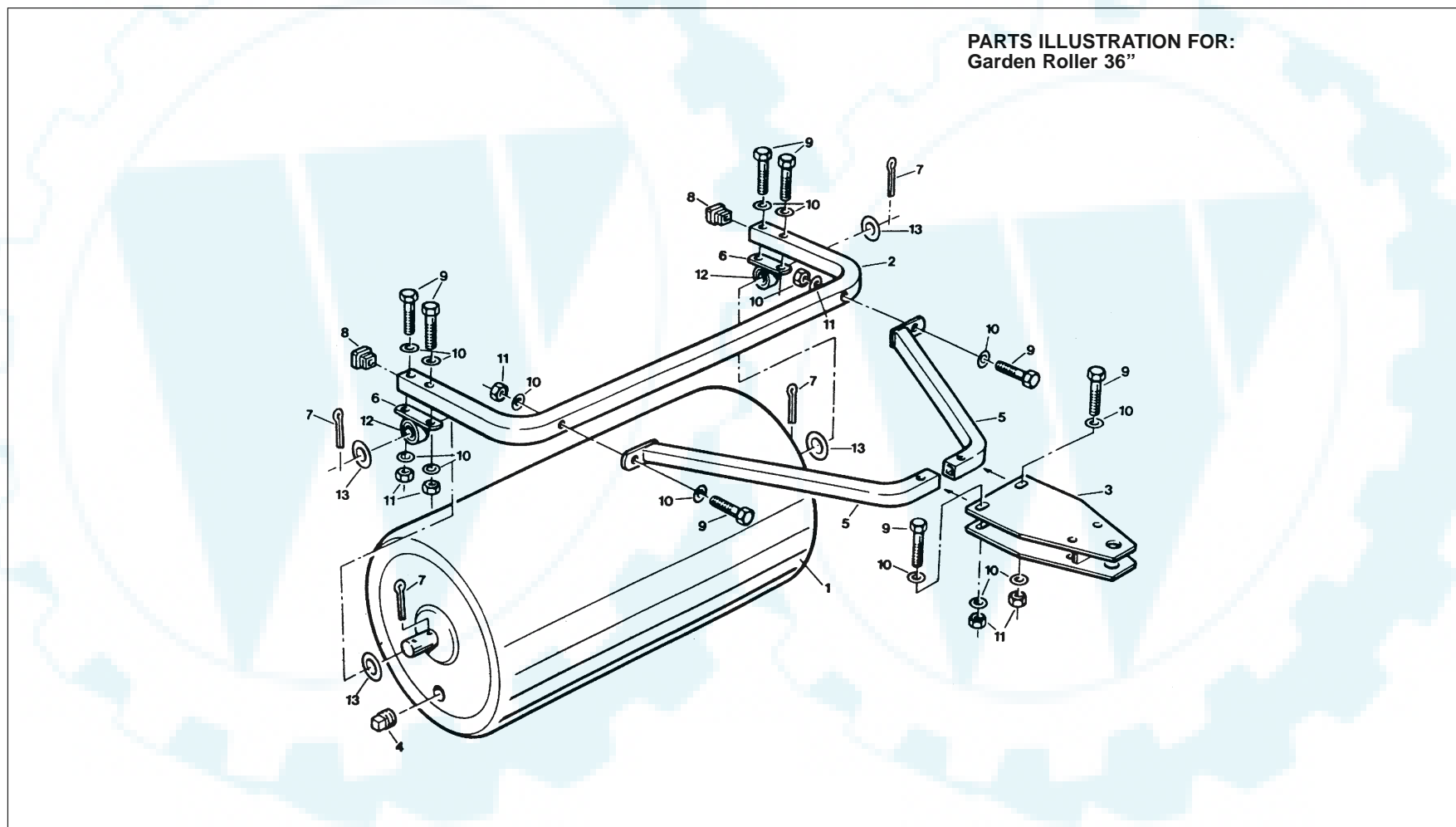
PARTS LIST FOR: Fertiliser Spreader MkII

Item	Part No	Description	Qty
1	4274	Main Frame Assembly	1
2	4270	Hopper Moulding	1
3	4268	Impellor Moulding	1
4	4269	Spindle Driven Pulley	1
5	4303	Roll Pin	1
6	4272	Agitator	1
7	1961	Setscrew 5/16" UNF x 1/2" long	1
8	2048	Washer 5/16" Shakeproof	1
9	4263	Knob	1
10	4276	Stiffening Plate, Adjuster Bracket	1
11	1735	Machine Screw 2BA x 3/4" long	10
12	1962	Washer 2BA (T1)	33
13	1053	Nut 2BA Nyloc	14
14		Not Allocated	
15	4281	Shutter Plate	1
16	4282	Shutter Guide	2
17	4283	Shutter Chute	1
18	4284	Operating Rod	1
19	4192	Split Pin 3/32" dia. x 1/2" long	2
20	1331	Washer 1/4" plain (T3LP)	4
21	4285	Link Plate	1
22	2003	Spring	1
23	4286	Rod, Shutter Adjuster	1
24	4287	Bracket	1
25	4215	Machine Screw 2BA x 1 1/4" long	4
26	4289	Stiffener, Adjuster Plate	1
27	4290	Adjuster Plate	1
28	1629	Screw, Self Tapping No.6 x 3/8" long	8
29	4280	Cover Plate, Impellor	1
30	3081	Rod, Drive Pulley Cover	1
31	1982	Setscrew 5/16" UNF x 3/4" long	7
32	1105	Washer 5/16" plain (T4LP)	22
33	1273	Nut 5/16" UNF Nyloc	11
34	4086	'R' Clip	1
35	4292	Guard, Drive Pulley	1

Item	Part No	Description	Qty
36	3713	Washer	5
37	4293	Spindle, Drive Pulley	1
38	3031	Bearing	2
39	3029	Drive Pulley	1
40	1663	'E' Clip	1
41	1464	Drive Belt (Dayco L438)	2
	4655	Drive Belt (Dayco L432)	2
42	4298	Pulley 8" dia.	1
	4653	Pulley 5" dia.	1
43	4265	Bearing Housing	2
44	1006	Washer Domed	1
45	2031	Setscrew 5/16" UNF x 1" long	1
46	3728	Woodruff Key 1/4" x 3/4"	1
47	1631	Washer	1
48	4300	Mesh Guard	1
49	1266	Bolt 5/16" UNF x 1 3/4" long	4
50	1270	Nut 1/4" UNF Nyloc	1
51	3765	Nut 1/4" UNF Plain	1
52	3329	Spacer 5/16" ID x 1/2" OD x 7/16" long	1
53	3102	Nut Domed 1/4" UNF Nyloc	1
54	4279	Tube Hopper Support	2
55	3635	Washer	1
56	4277	Guard Impellor	1
57	4296	Belt Guard	1
58		Not Allocated	
59	2025	Bolt 3/8" UNF x 2 3/4" long	1
60	1324	Nut 3/8" UNF Nyloc	2
61	1323	Washer 3/8" Plain (T3LP)	3
62	2847	Washer	1
63	2788	Bush, long	1
64	2306	Bush, short	1
65	2694	Pulley Jockey	1
66	1249	Pin	1
OR	1966	Bolt 3/8" UNF x 1" long	1
67	1225	'R' Clip	1

Item	Part No	Description	Qty
68	3038	'J' Type Nut	5
69	4304	Bracket Mesh Guard	2
70	3453	Label – Union Jack	1
71	2755	Label – Westwood	1
72	3441	Label – Warning	1
73	4291	Label – Adjuster Plate	1
74	4264	Washer	1
75		Not Allocated	
76	4318	Screw, Self Tapping, No.8 x 1/2" long	5
77	1180	Bearing	2





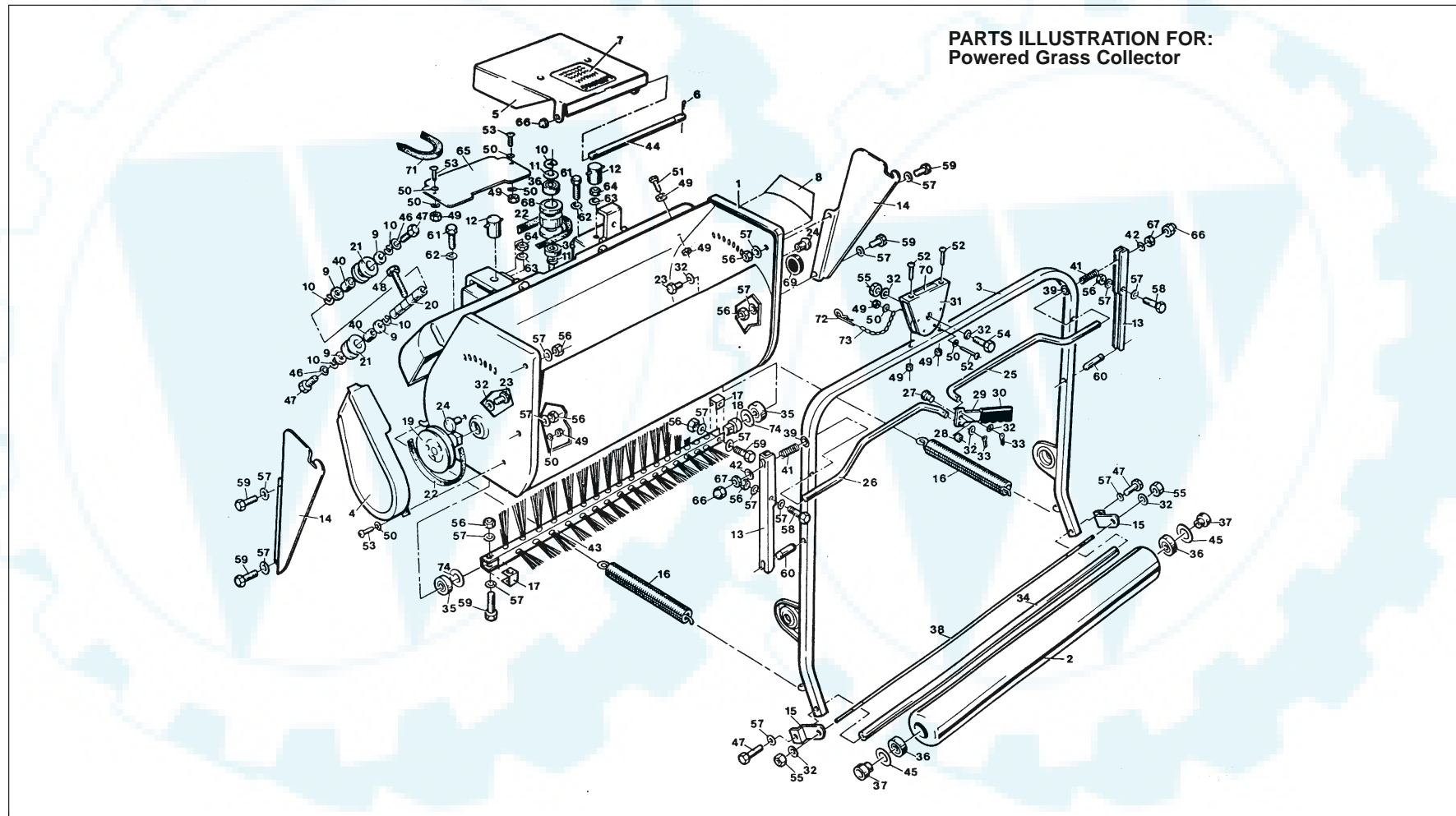


PARTS LIST FOR:
Garden Roller 36"

Item	Part No	Description	Qty
1	1866	Roller	1
2	1867	Roller Frame	1
3	1868	Hitch Bracket	1
4	1869	Plug 3/4" BSP Thread	1
5	1870	Hitch Frame	2
6	1871	Axle Bush Housing	2
7	1553	Roll Pin 1/8" dia. x 1 1/2" LG	2
8	1289	Plastic Plug	2
9	1266	Bolt 5/16" UNF x 1 3/4" LG Hex Head	8
10	1105	Washer 5/16" dia. Ord, Plain	16
11	1273	Nut 5/16" UNF Self Lock Hex	8
12	1173	Bush, Bronze, Oil Impregnated 3/4" ID x 7/8" OD x 1 1/4" LG Plain	2
13	1099	Washer, 3/4" ID x 1 1/4" OD	2

Item	Part No	Description	Qty

Item	Part No	Description	Qty





PARTS LIST FOR: Powered Grass Collector

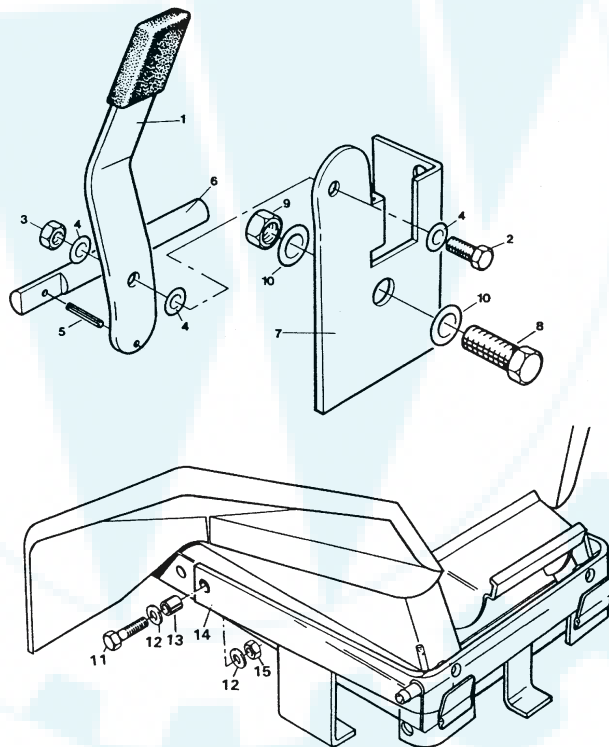
Item	Part No	Description	Qty
1	3156	Body Assembly	1
2	3194	Roller Assembly	1
3	3222	Height Adjusting Frame (Cowhorn)	1
	3157	Height Adjusting Frame Assembly	1
4	3158	Guard, Brush Drive Pulley	1
5	3188	Guard, Drive Pulley and Belt	1
6	4086	'R' Clip, 1/16" Dia	1
7	3441	Label, Belt Guard Warning	1
8	3175	Label, Height Adjustments	1
9	3228	Spacer, Idler Pulleys	4
10	1663	'E' Clip	5
11	3712	Space Washer	6
12	3127	Wing Nut, Latch Assembly	2
13	3211	Latching Arms	2
14	3085	Collector Box LH Support Bracket	1
	3086	Collector Box RH Support Bracket	1
15	3206	Bracket, Cable Scraper	2
16	3142	Tension Spring	2
17	3213	Bracket Bush Attachment	2
18	3083	Brush Shaft RH	1
19	3078	Pulley and Shaft, Brush Drive	1
20	3024	Shaft, Idler Pulley	1
21	3225	Pulley, Idler	2
22	1414	Belt, Brush Drive (Dayco - 1414-42-9744)	1
23	1156	Setscrew 1/4" UNF x 3/4" long	2
24	3134	Boss, Cowhorn Retaining	2
25	3216	Rod, Height Adjuster Link, RH - long	1
26	3215	Rod, Height Adjuster Link, LH - short	1
27	3147	Bush Release Handle Pivot	1
28	3146	Spacer, Release Handle	1
29	3145	Release Handle	1
30	1845	Grip, Release Handle	1
31	3152	Bracket, Release Handle	1
32	1331	Washer 1/4" ID Plain (T3HP)	6
33	4192	Split Pin 1/8" dia x 1/2" long	2

Item	Part No	Description	Qty
34	3069	Shaft, Roller	1
35	1180	Bearing 52mm OD x 25mm ID	2
36	3031	Bearing 40mm OD x 17mm ID	4
37	3072	Spacer, Roller Shaft	2
38	3190	Cable, Roller Scraper	1
39	3223	Bush, Nylon	2
40	3229	Bearing 35mm OD x 17mm ID	2
41	3161	Spring Compression	2
42	3616	Washer 5/16" ID x 3/4" OD (T4HP)	2
43	3073	Brush Assembly	1
44	3081	Rod, Drive Belt and Pulley Guard	1
45	2587	Washer 1/2" ID x 1" OD (T3LP)	2
46	1970	Washer 5/16" ID x 3/4" OD (T4LP)	3
47	1982	Setscrew 5/16" UNF x 3/4" long	4
48	1978	Setscrew 5/16" UNF x 2 1/2" long	1
49	1053	Nut 2BA Nyloc	10
50	1962	Washer 2BA Plain	16
51	1735	Machine Screw 2BA x 3/4" long	2
52	4215	Machine Screw 2BA x 1 1/4" long	3
53	1734	Machine Screw 2BA x 1/2" long	3
54	2022	Bolt 1/4" UNF x 1 1/4" long	1
55	1270	Nut 1/4" UNF Nyloc	3
56	1273	Nut 5/16" UNF Nyloc	8
57	1105	Washer 5/16" ID x 5/8" OD (T4LP)	16
58	1321	Bolt 5/16" UNF x 1 1/2" long	2
59	1335	Bolt 5/16" UNF x 1 1/4" long	2
60	3212	Pin, Arm Locking	2
61	1054	Bolt 3/8" UNF x 1 1/2" long	2
62	1323	Washer 3/8" ID x 3/4" OD (T3LP)	2
63	1633	Washer 3/8" ID Shakeproof	2
64	1324	Nut 3/8" UNF Nyloc	2
65	3176	Cover, Latch Box	1
66	3102	Nut Domed 1/4" UNC Nylon	2
67	4227	Nut 1/4" UNF Nyloc	2
68	3224	Pulley, Driven	1

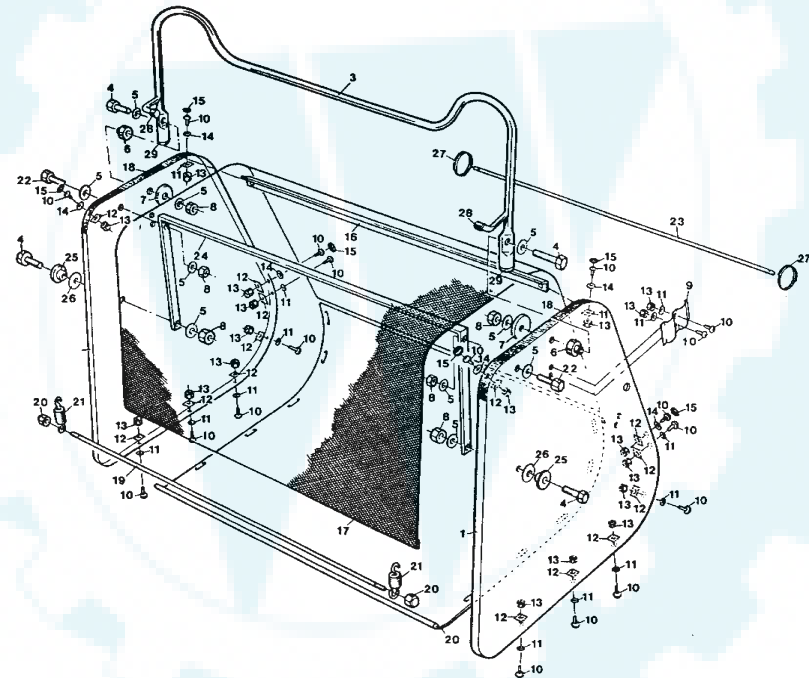
Item	Part No	Description	Qty
69	3022	Hub Cap	1
70	3462	Label, Height Adjuster Warning	1
71	1464	Belt, PTO Drive (Dayco 1464-42-9979)	1
72	1225	'R' Clip	1
73	1878	Chain	1
74	4130	Washer 1" ID x 1 5/16" OD	As. reqd.



**PARTS ILLUSTRATION FOR:
Powered Grass Collector
Mounting Frame**



**PARTS ILLUSTRATION FOR:
Powered Grass Collector
Collector Box**



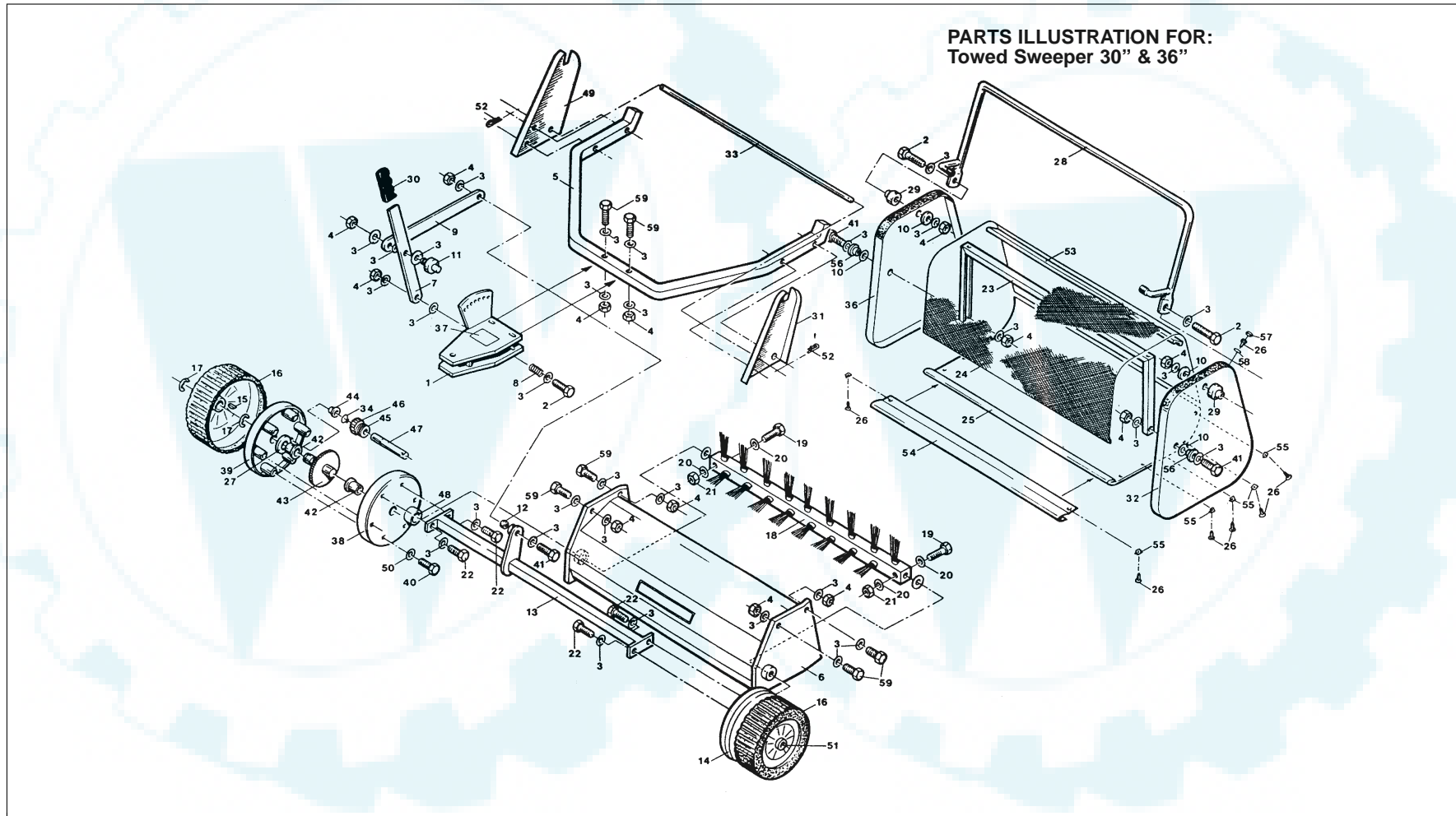


PARTS LIST FOR: Powered Grass Collector Mounting Frame and Collector Box

Item	Part No	Description	Qty
Mounting Frame			
1	3472	Lever LH	1
	3473	Lever RH	1
2	1156	Bolt 1/4" UNF x 3/4" long	2
3	1270	Nut 1/4" UNF Nyloc	2
4	1331	Washer 1/4" Plain	4
5	3489	Roll Pin 1/8" Dia x 3/8" LG	2
6	3474	Pin	2
7	3470	Bracket LH	1
	3471	Bracket RH	1
8	1334	Bolt 5/16" UNF x 3/4" long	2
9	1273	Nut 5/16" UNF Nyloc	2
10	1105	Washer 5/16" Plain	4
11	1054	Bolt 3/8" UNF x 1 1/2" long	2
12	1323	Washer 3/8" Plain	4
13	3117	Pivot Bush	2
14	3129	Mounting Frame	1
15	1324	Nut 3/8" UNF Nyloc	2

Item	Part No	Description	Qty
Collector Box			
1	3088	Side Panel LH	1
	3093	Side Panel RH	1
2	3104	Base	1
3	3144	Tipping Handle	1
4	3608	Setscrew 5/16" UNF x 1 1/4" long	4
5	3616	Washer 5/16" ID x 3/4" OD (T4H)	10
6	3108	Pivot Bush	2
7	1666	Washer 3/8" ID x 1 7/8" OD	2
8	1273	Nut 5/16" Nyloc	6
9	3153	Clip, Tipping Handle	1
10	3710	Machine Screw M3 x 12mm long	18
11	4041	Washer 4mm ID x 8.5mm OD	16
12	3968	Washer 4.5mm ID x 10mm Square	14
13	3711	Nut M4 Nyloc	18
14	3091	Cup Washer, White Plastic	6
15	3092	Screw Cover, Black Plastic	6
16	3218	Reinforcing Channel, Rear	1
17	3100	Net	1
18	2056	Velcro Strip Fastener	2
19	3103	Rod, Net Front	1
20	3102	Nut 1/4" UNC Domed Nylon	2
21	3101	Tension Spring	2
22	1982	Setscrew 5/16" UNF	2
23	3111	Rod, Net Rear	1
24	3219	Reinforcing Channel, Front	1
25	3097	Bush, Collector Pivot	2
26	4124	Washer 3/8" ID x 1" OD (TS)	2
27	1945	Clip, Split Ring	2
28	1850	Cap, Tube	2
29	3191	Grommet	2

Item	Part No	Description	Qty



**PARTS ILLUSTRATION FOR:
Towed Sweeper 30" & 36"**

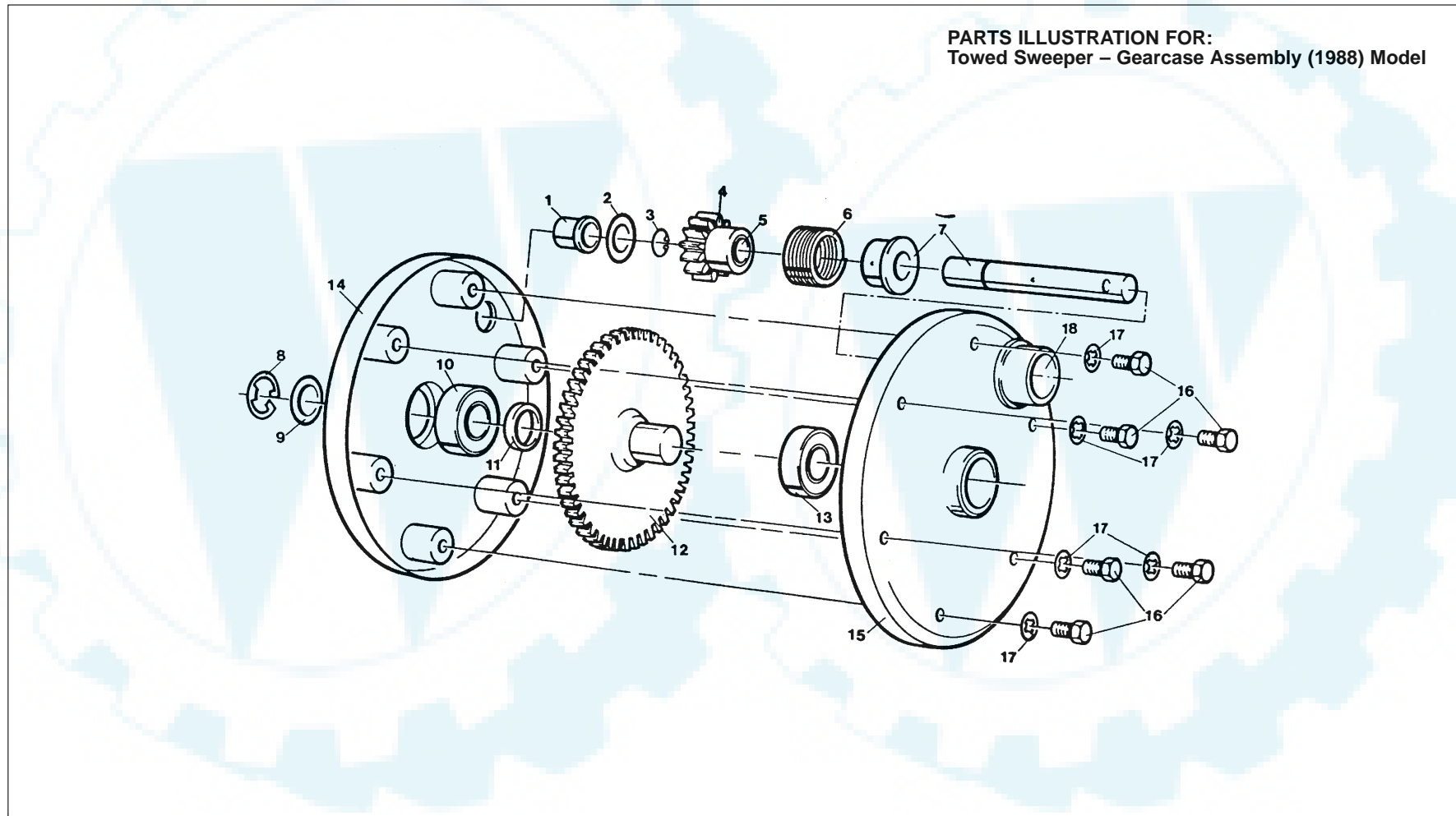


PARTS LIST FOR: Towed Sweeper 30" & 36"

Item	Part No	Description	Qty
1	1822	Bracket, Tow Hitch	1
2	1321	Bolt 5/16" UNF x 1 1/2" long	3
3	1105	Washer 5/16" Plain (T3LP)	33
4	1273	Nut 5/16" UNF Plain	14
5	3180	Tow Frame – 30"	1
	3181	Tow Frame – 36"	1
6	1825	Sweeper Case – 30"	1
	1826	Sweeper Case – 36"	1
7	1827	Lever, Sweeper Height Adjustment	1
8	1613	Compression Spring	1
9	1828	Link	1
10	3195	Washer 5/16" ID x 1 1/2" OD	4
11	1848	Pin, Sweeper Height Setting	1
12	1733	Spacer 5/16" OD x 1/2" x 1/4" LG	1
13	3196	Bar, 30" Sweeper	1
	3197	Bar, 36" Sweeper	1
14	1832	Gear Case Assembly	2
15	1104	Key Woodruff	2
16	1833	Wheel	2
17	1663	'E' Clip 3/4" Dia Shaft	4
18	1834	Brush 30" Sweeper	1
	1835	Brush, 36" Sweeper	1
19	3198	Bolt 1/4" x 1"	2
20	1331	Washer 1/4" Plain	4
21	3199	Nut 1/4" Domed	2
22	1982	Setscrew 5/16" UNF x 3/4" LG	4
23	3095	Reinforcing Frame, Front – 30"	1
	3089	Reinforcing Frame, Front – 36"	1
24	3100	Net, 30" Sweeper	1
	3090	Net, 36" Sweeper	1
25	3104	Collector Base, 30" Sweeper	1
	3098	Collector Base, 36" Sweeper	1
26	3019	Screw, Self Tap No.8	14
27	1782	Washer 7/8" ID x 1 1/2" OD	2
28	3105	Handle, Emptying – 30"	1

Item	Part No	Description	Qty
	3099	Handle, Emptying – 36"	1
29	3108	Pivot, Emptying Handle	2
30	1845	Handgrip	1
31	3135	Bracket Support LH	1
32	3088	Collector Side Panel LH	1
33	3111	Rod, Net, 30" Sweeper	1
	3112	Rod, Net, 36" Sweeper	1
34	1015	Circlip 1/2" Dia shaft	2
35	1850	Tube Cap	2
36	3093	Collector Side Panel RH	1
37	1851	Transfer 'IMPORTANT'	1
38	3200	Gearcase, Inner	2
39	3201	Gearcase, Outer	2
40	1961	Setscrew 5/16" UNF x 1/2" LG	8
41	1335	Bolt 5/16" UNF x 1 1/4" LG	1
42	1845	Bush Flanged 3/4" ID x 7/8" OD x 3/4" LG	4
43	3203	Spur Gear	2
44	1860	Bush Flanged 1/2" ID x 5/8" OD x 1/2" LG	2
45	3852	Drive Spring LH	2
	3853	Drive Spring RH	2
46	3723	Spur Pinion	2
47	3984	Shaft Drive Assembly	2
48	3205	Bush Flanged 1 1/4" ID x 1 1/2" OD x 1" LG	2
49	3136	Bracket Support RH	1
50	2048	Washer, Shakeproof 5/16" Dia	8
51	2068	Hub Cap	2
52	3137	'R' Clip Small	2
53	3094	Reinforcing Bar, 30" Sweeper	1
	3089	Reinforcing Bar, 36" Sweeper	1
54	3139	Closing Strip, 30" Sweeper	1
	3140	Closing Strip, 36" Sweeper	1
55	3038	'J' Type Nut	14
56	3097	Pivot Collector Vox	2
57	3092	Plastic Cover, Self Tapping Screw	4
58	3091	Plastic Cup Washer	4

Item	Part No	Description	Qty
59	1266	Bolt 5/16" UNF x 1 3/4" Long	6
60	3097	Pivot Collector Box	2



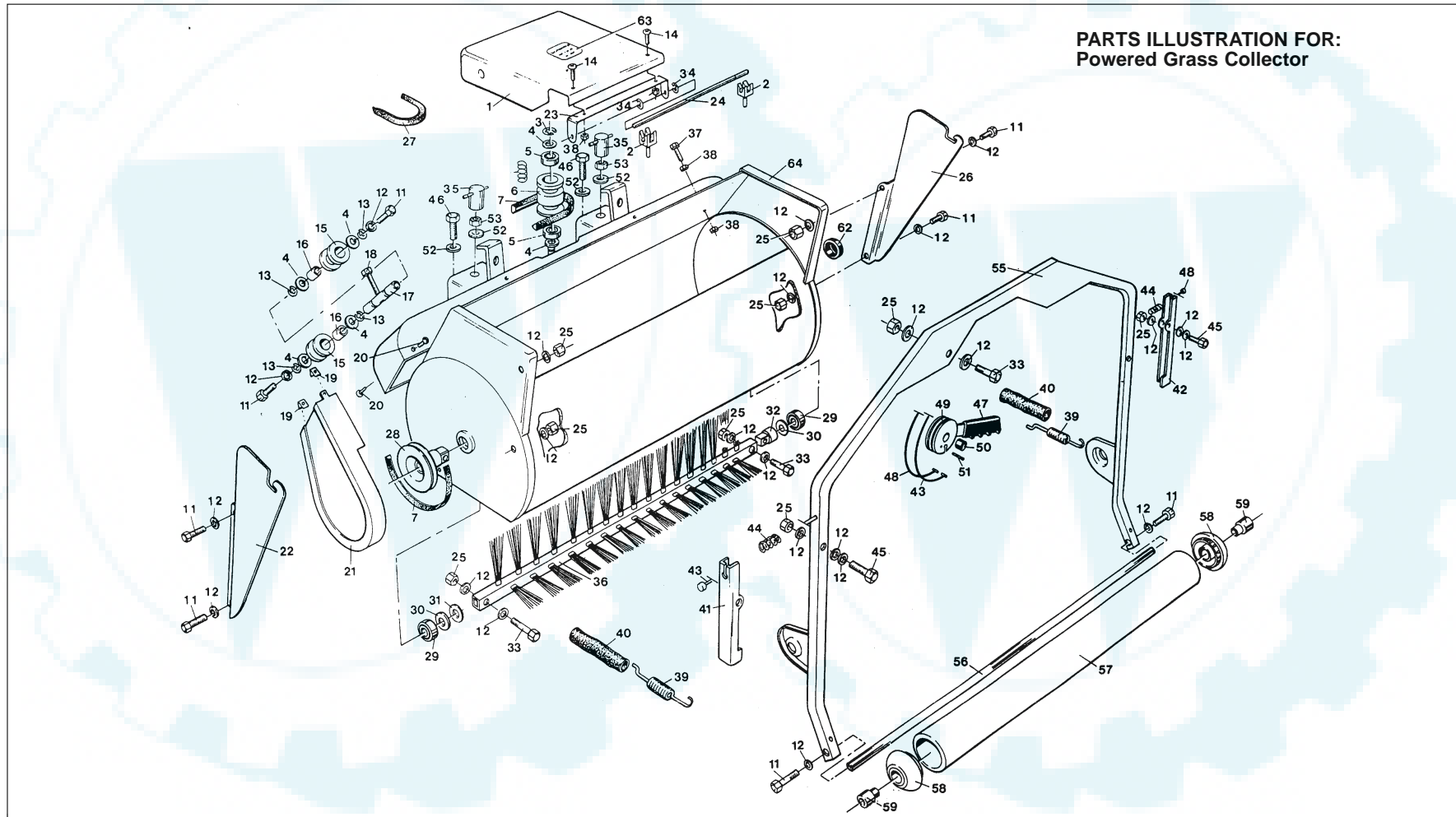


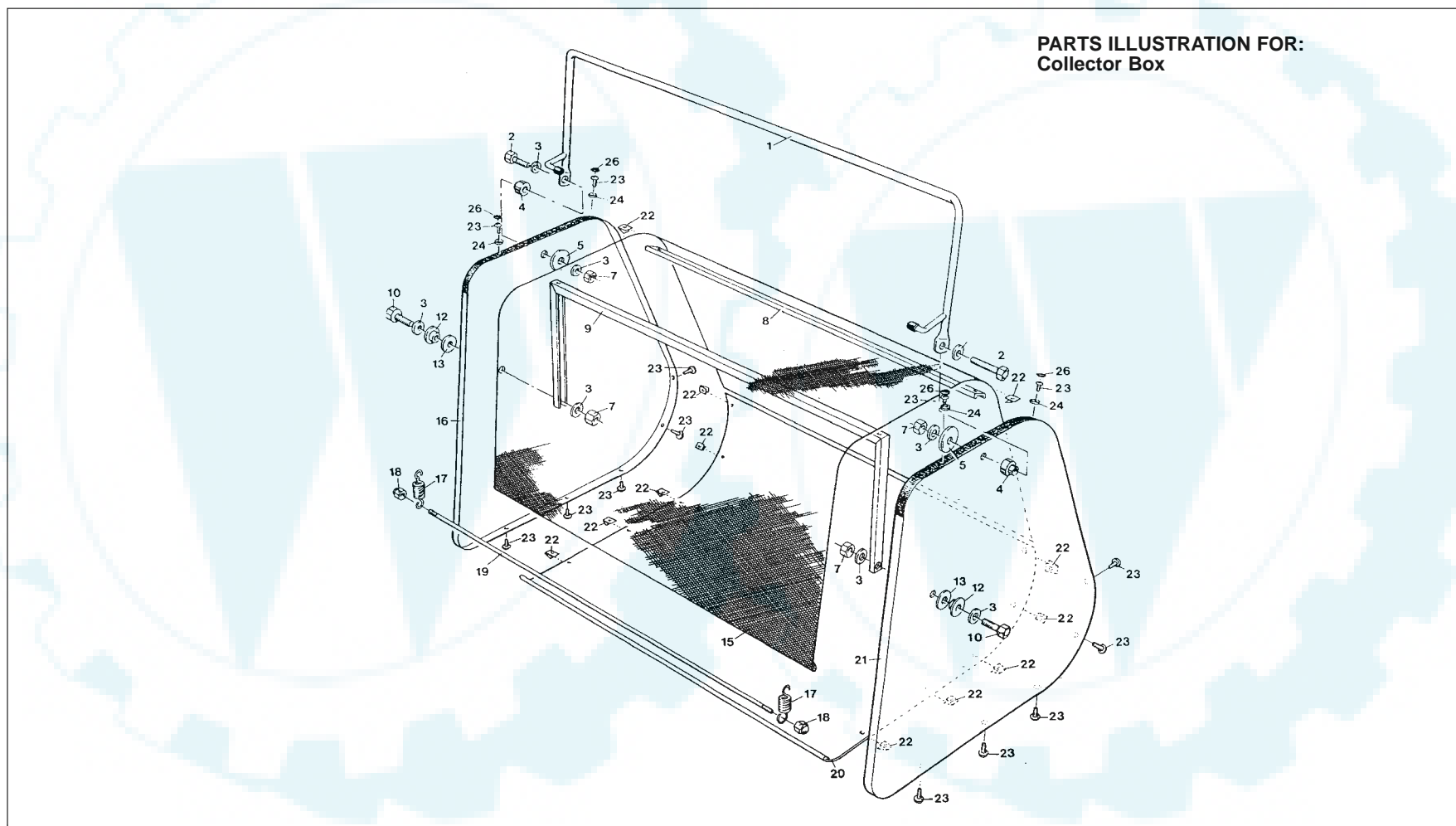
PARTS LIST FOR:
Towed Sweeper – Gearcase Assembly (1988) Model

Item	Part No	Description	Qty
1	1860	Bush Flanged 5/8" OD x 1/2" ID x 5/8" long	1
2	2587	Washer 1" OD x 1/2" ID x 20g	1
3	1015	Circlip 1/2" Dia	1
4	3723	Spur Pinion	1
5	4713	Bush Oilite 5/8" OD x 1/2" ID x 5/8" long	1
6	3852	Drive Spring, Left Hand Gearcase	1
	3853	Drive spring, Right Hand Gearcase	1
7	3984	Shaft and Bobbin Assembly	1
8	1663	'E' Clip, 3/4" Shaft	1
9	3712	Washer	1
10	4714	Bearing 6203 RS 3/4"	1
11	4716	Spacer	1
12	4715	Spur Gear	1
13	3031	Bearing 40mm x 17mm	1
14	3201	Gearcase Outer Half	1
15	3200	Gearcase Inner Half	1
16	1961	Setscrew 5/16" UNF x 1/2" long	4
17	2048	Washer 5/16" Dia Shakeproof	4
18	3205	Bush Flanged 1/2" OD x 1 1/4" ID x 1" long	1

Item	Part No	Description	Qty

Item	Part No	Description	Qty





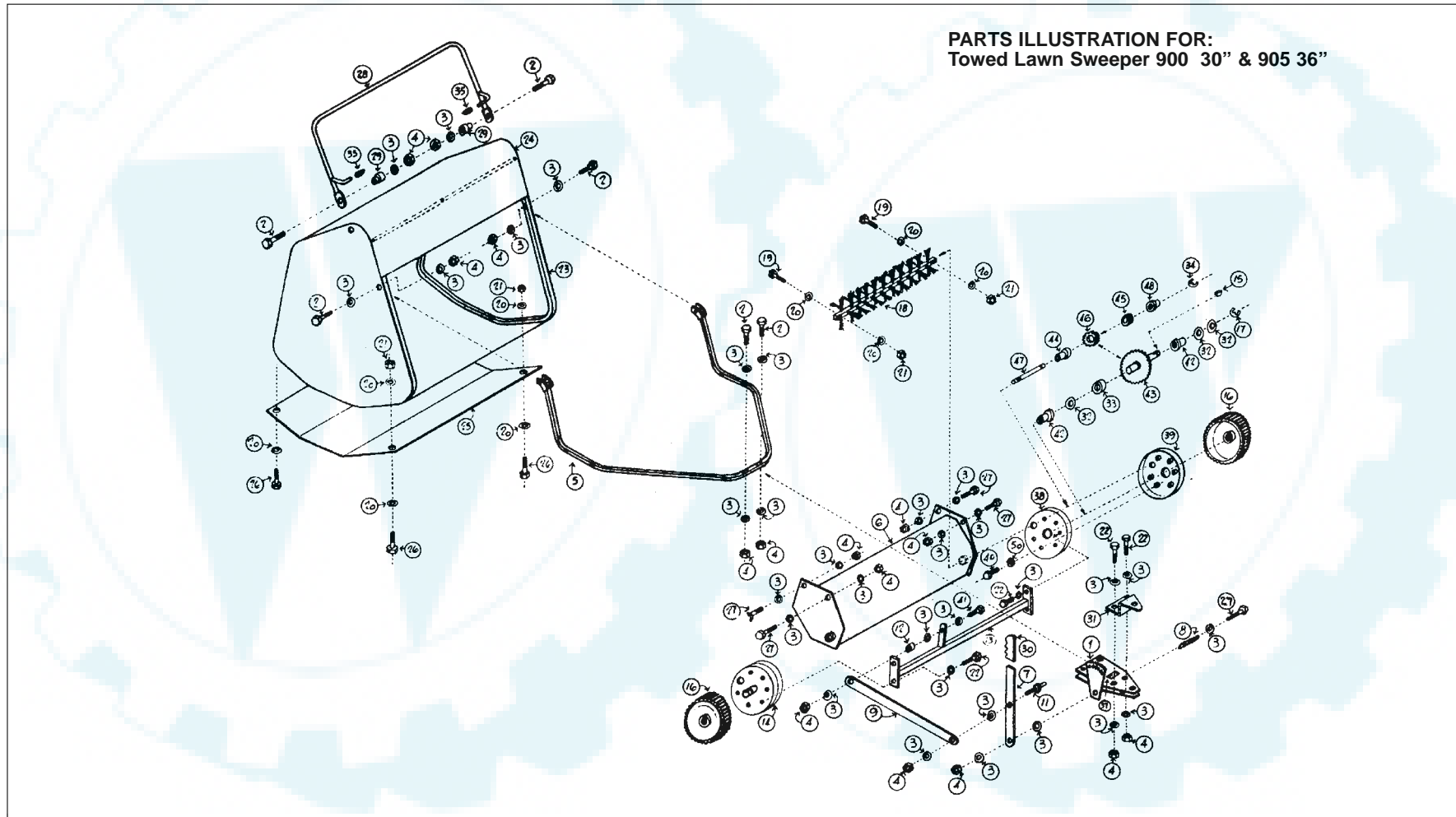


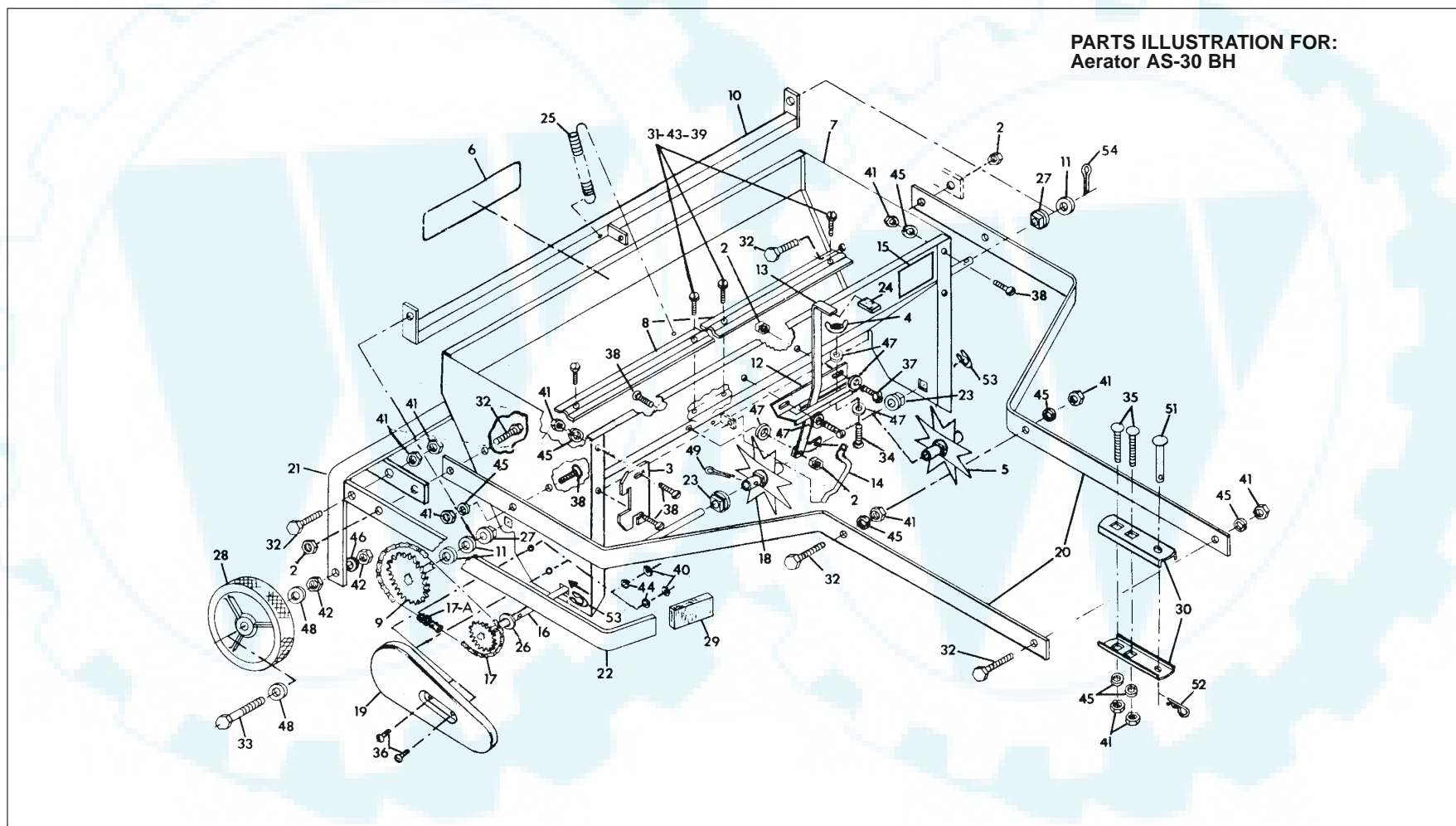
PARTS LIST FOR: Collector Box

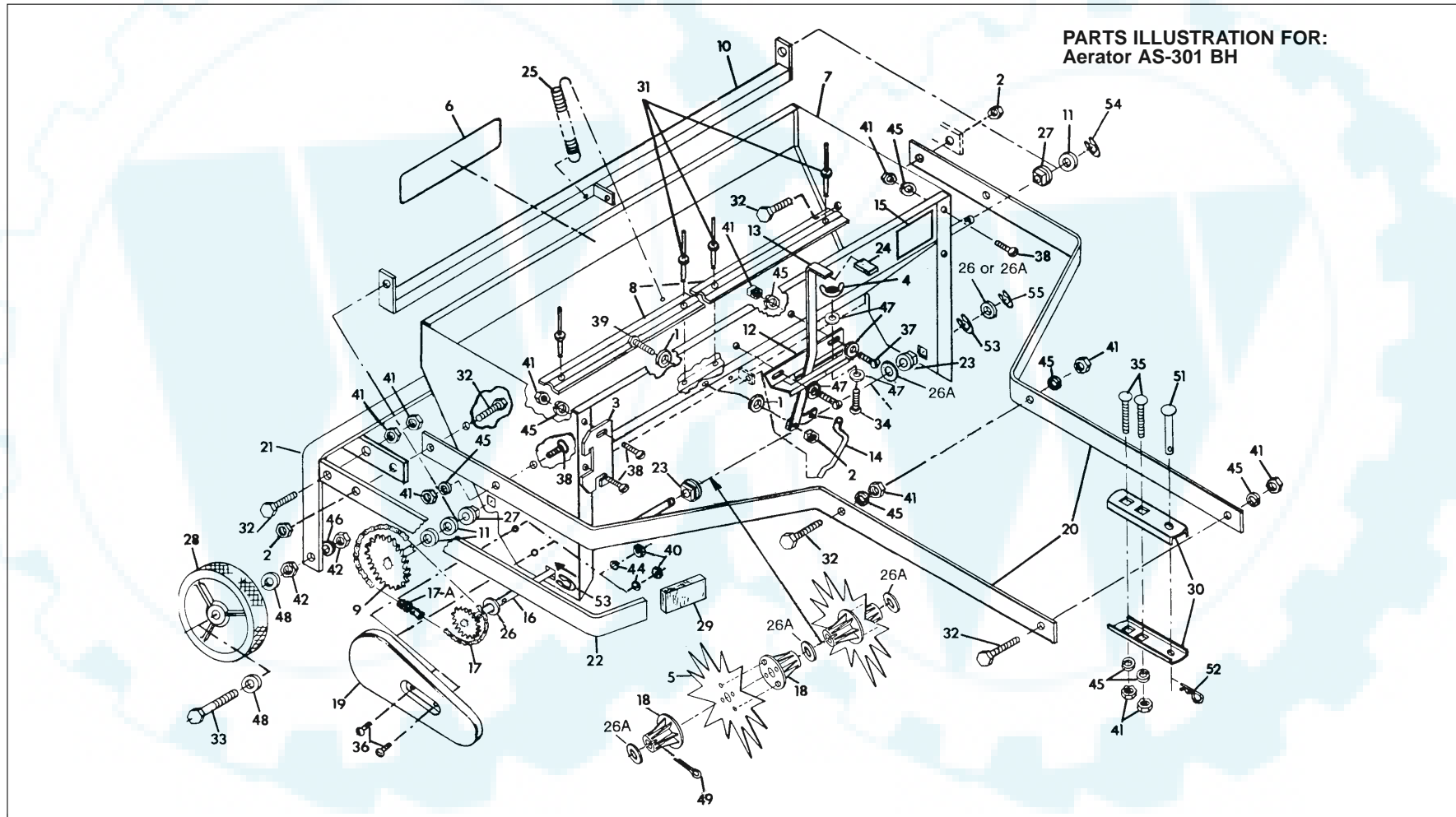
Item	Part No	Description	Qty
1	3105	Emptying Handle	1
2	1321	Bolt, $\frac{5}{16}$ " UNF x $1\frac{1}{2}$ " LG	3
3	1105	Washer, $\frac{5}{16}$ " Plain	8
4	3108	Pivot Brush, Tipping Handle	2
5	3110	Washer, 48mm OD x 10mm ID	2
6	1971	Washer, $\frac{3}{4}$ " OD x $\frac{5}{16}$ " ID (Not Shown)	
7	1273	Nut, $\frac{5}{16}$ " UNF Nyloc	4
8	3094	Reinforcing Bar, Rear	1
9	309	Reinforcing Frame, Front	1
10	2031	Setscrew, $\frac{5}{16}$ " UNFX x 1" LG	2
11		Not Allocated	
12	3097	Bush, Collector Pivot	2
13	1981	Washer, $\frac{5}{16}$ " ID x 1" OD	2
14		Not Allocated	
15	3100	Net	1
16	3093	Collector Side Panels RH	1
17	3101	Tension Spring	2
18	3102	Nut, Domed Plastic	2
19	3103	ROD, Collector Net	1
20	3104	Base, Collector	1
21	3088	Collector Side Panel LH	1
22	3038	'J' Type Nut for No 8 ST Screws	14
23	3019	Self Tapping Screws for No 8	14
24	3091	Plastic Cup Washer	4
25		Not Allocated	
26	3092	Plastic Screw Cover	4

Item	Part No	Description	Qty
------	---------	-------------	-----

Item	Part No	Description	Qty
------	---------	-------------	-----







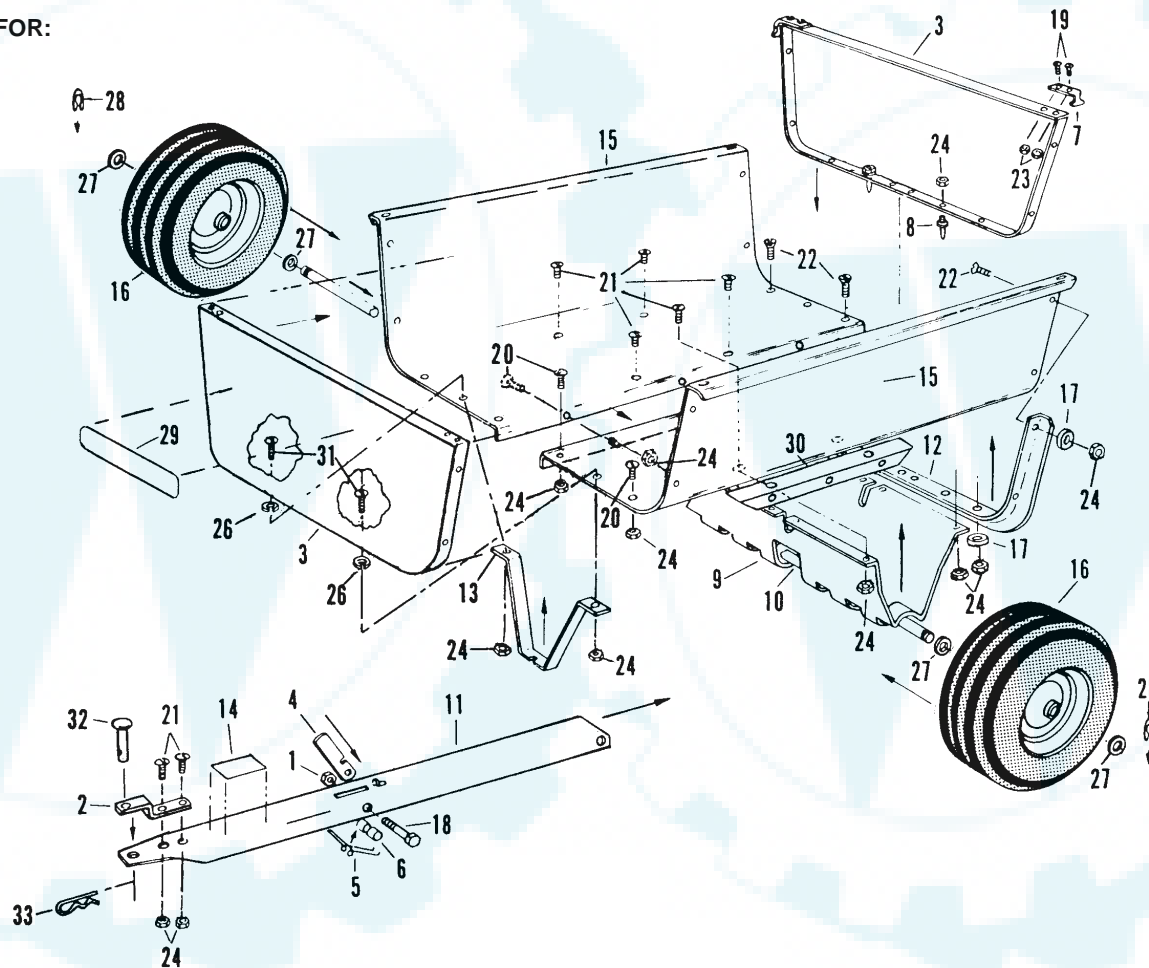


PARTS LIST FOR: Aerator AS-301 BH

Item	Part No	Description	Qty	Item	Part No	Description	Qty	Item	Part No	Description	Qty
1	R-774	Washer, Large	2	34	10M0808P	Carriage Bolt $\frac{1}{4}$ " x $\frac{1}{2}$ "	1				
2	B-1674P	Hex Lock Nut $\frac{5}{16}$ "	3	35	10M1032P	Carriage Bolt $\frac{5}{16}$ " x 2"	2				
3	B-3546	Transport Lock	1	36	20M0808P	Round Head Screw $\frac{1}{4}$ " x $\frac{1}{2}$ "	2				
4	B-4030	Wing Nut $\frac{1}{4}$ "	1	37	20M1008P	Round Head Srew $\frac{5}{16}$ " x $\frac{1}{2}$ "	2				
5	B-5423	Aerator Tine	8	38	20M1012P	Round Head Screw $\frac{5}{16}$ " x $\frac{3}{4}$ "	5				
6	B-4674	Logo Decal	1	39	2M1016P	Hex Bolt $\frac{5}{16}$ " x 1"	1				
7	B-4701-10	Hopper Assembly	1	40	30M0800P	Hex Nut $\frac{1}{4}$ "	2				
8	B-4705-10	Agitator	2	41	30M1000P	Hex Nut $\frac{5}{16}$ "	17				
9	B-5474-10	Agitator Shaft Assembly	1	42	31M1600P	Hex Jam Nut $\frac{1}{2}$ "	4				
10	B-4709-10	Shutter Assembly	1	44	40M0800P	Lock Washer $\frac{1}{4}$ "	2				
11	B-4713	Washer $\frac{1}{2}$ "	3	45	40M1000P	Lock Washer $\frac{5}{16}$ "	14				
12	B-4715	Calibration Plate	1	46	40M1600P	Lock Washer $\frac{1}{2}$ "	2				
13	B-4841-01	Flow Control Lever Assembly	1	47	45M1111P	Flat Washer $\frac{5}{16}$ "	4				
14	B-4719-01	Shutter Link	1	48	45M1717P	Flat Washer $\frac{1}{2}$ "	4				
15	R-1946	Safety Decal	1	49	50M0524P	Cotter Pin $\frac{5}{32}$ " x $1\frac{1}{2}$ "	2				
16	B-5472	Tine Shaft Assemby	1	51	B-3861	Drawbar Pin	1				
17	B-4724	Drive Chain	1	52	D-146P	Hairpin Cotter	1				
17A	B-4724-1	Connector Link	1	53	B-4307	"E" Ring 1" (Large)	2				
18	B-5425	Spacer/Bearing Tube	16	54	F-621S	"E" Ring (Agitator) $\frac{1}{2}$ "	1				
19	B-4726	Chain Shield	1	55	F-577	"E" Ring $\frac{5}{8}$ " (Small)	1				
20	B-4727-10	Tow Bar	2								
21	B-4728-10	Wheel Support Assembly	1								
22	B-4731-10	Lift Handle	1								
23	B-4723	Square Bearing (large) $\frac{5}{8}$ "	2								
24	B-4733	Vinyl Grip (Small)	1								
25	B-4747	Tension Spring	1								
26	B-4768	Washer (Thin) $\frac{5}{8}$ "	3								
26A	B-5456	Washer (Thick) $\frac{5}{8}$ "	4								
27	F-383	Square Bearing (Small) $\frac{1}{2}$ "	2								
28	F-590	Wheel	2								
29	R-803	Handle Grip (Large)	1								
30	R-892-10	Clevis Strap	2								
31	B-5457	Pop Rivet	4								
32	1M1020P	Hex Bolt $\frac{5}{16}$ " x $1\frac{1}{4}$ "	6								
33	1M1644P	Hex Bolt $\frac{1}{2}$ " x $2\frac{3}{4}$ "	2								

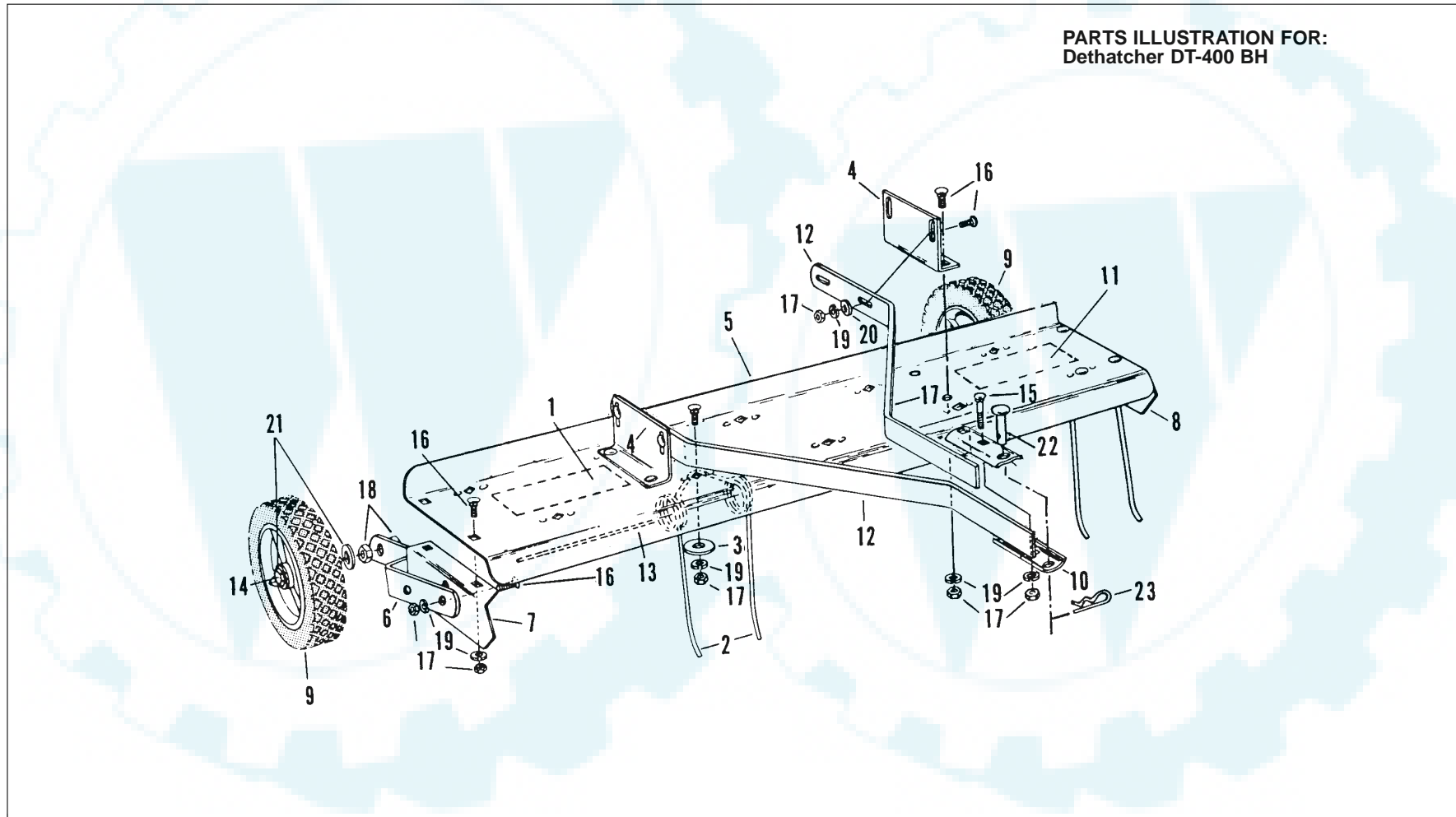


PARTS ILLUSTRATION FOR:
Utility Cart HDC-105 BH





PARTS ILLUSTRATION FOR:
Dethatcher DT-400 BH





PARTS LIST FOR:
Dethatcher DT-400 BH

Item	Part No	Description	Qty	Item	Part No	Description	Qty	Item	Part No	Description	Qty
1	B-4679	Logo Decal	1								
2	R-616	Tine	10								
3	R-618	Special Washer	10								
4	R-713-10	Tray Mount Bracket	2								
5	R-885-10	Tine Tray	1								
6	R-887-10	Wheel Mounting Bracket	2								
7	R-889-10	End Plate (RH)	1								
8	R-890-10	End Plate (LH)	1								
9	R-891	Wheel	2								
10	R-892-10	Clevis	2								
11	R-1541	Caution Decal	1								
12	R-1455-10	Pull Bar	2								
13	R-1503	Safety Wire	2								
14	1M1648P	Hex Head Bolt 1/2" x 3"	2								
15	10M1032P	Carriage Bolt 5/16" x 2"	2								
16	11M1016P	Carriage Bolt 5/16" x 1"	26								
17	30M1000P	Hex Nut 5/16"	28								
18	30M1600P	Hex Nut 1/2"	4								
19	40M1000P	Lock Washer 5/16"	28								
20	45M1111P	Flat Washer 5/16"	4								
21	45M1717P	Flat Washer 1/2"	4								
22	B-3861	Drawbar Pin 1/2" x 2 1/4"	1								
23	B-146P	Hairpin Cotter 1/8"	1								



PARTS LIST FOR:

Broadcast Spreader BST-350 BH

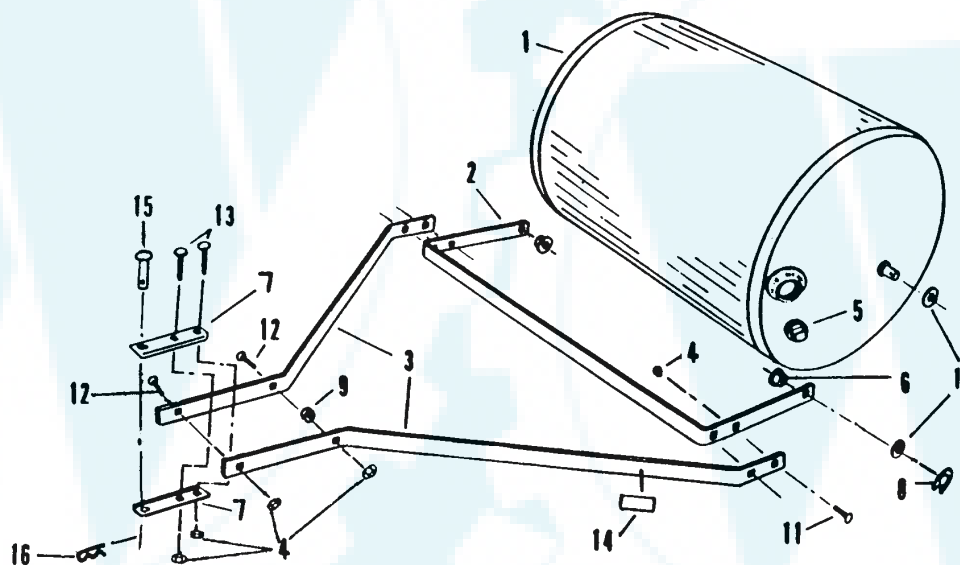
Item	Part No	Description	Qty
1	50M0476P	Cotter Pin 1/8" x 1"	1
2	F-436	Agitator Spring	1
3	F-365	Fan Shaft "O" Ring (Large)	1
4	F-778	Logo Decal	1
5	F-574	Fan Bearing (Small)	1
6	F-577	Snap Ring	3
7	B-1673P	Hex Lock (Domed Nut)	3
8	F-575	Nylon Washer	6
9	F-313	Shutter "O" Ring (Small)	3
10	F-719	Hopper	1
11	F-745	Moisture Cover	1
12	20M0808P	Round Head Screw 1/4" x 1/2"	2
13	F-790	Decal (Directional Handle)	1
14	F-784	Directional Handle (Shutter)	1
15	F-789	Vinyl Grip (Small)	1
16	B-4785	Nylon Insert Nut 1/4"	2
17	F-767	Shutter Plate (Directional)	1
18	F-765	Flow Control Plate	1
19	20M0814P	Round Head Screw 1/4" x 7/8"	3
20	B-4786	Nylon Insert Nut 5/16"	11
21	F-755-10	Hopper Support	1
22	F-283	Bearing Axle (Large)	2
23	1M1032P	Hex Bolt 5/16" x 2"	4
24	1M1024P	Hex Bolt 5/16" x 1 1/2"	3
25	F-758-10	Gusset Plate	2
26	F-573	Fan	1
27	F-734-10	Cross Brace	1
28	F-759-10	Tow Tube	2
29	F-591	Fan Driver	1
30	F-595	Lock Clip	1
31	F-770	Gear Box Assembly	1
32	45M2121P	Flat Washer 5/8"	6
33	F-620	Hairpin Cotter (Large)	2
34	F-705	Wheel	2
35	10M1012P	Carriage Bolt 5/16" x 3/4"	1

Item	Part No	Description	Qty
36	F-787	Spring Washer 5/16"	1
37	F-781	Stop Cage	1
38	F-782	Knob	1
39	1M1044P	Hex Bolt 5/16" x 2 3/4"	3
40	45M1111P	Flat Washer 5/16"	6
41	R-892-10	Hitch Clevis	2
42	D-146P	Hairpin Cotter (Small)	1
43	B-3861	Hitch Pin	1
44	10M1032P	Carriage Bolt 5/16" x 2"	2
45	F-762-10	Gage Plate	1
46	B-1674P	Hex Lock (Domed) Nut 5/16"	1
47	B-3721	Latch Spacer	1
48	R-618	Heavy Washer 5/16"	2
49	B-3085	Latch Spring	1
50	F-761	Link Rod	1
51	F-740	Flow Control Decal	1
52	F-738-10	Flow Control Handle	1
53	R-1882	Vinyl Grip (Large)	1
54	F-395	Hex Tapping Screw 1/4" x 3/4"	6
55	45M0909P	Flat Washer 1/4"	6
56	F-744	Operation Decal	1
57	L-1552-BH	Instructions	1
A	F-378	Pinion	1
B	F-454	Gear	1
C	F-457	Pinion Carrier	1
D	F-458-G	Housing Half (Gearbox)	2
E	F-730	Fan Shaft	1
F	F-398	Gearbox Cap	1
G	F-413	Spiral Pin 5/32" x 1"	1
H	F-414	Spiral Pin 1/8" x 3/4"	1
I	F-415	Hex Washer Head Screw	4
J	F-731-01	Axle	1

Item	Part No	Description	Qty
------	---------	-------------	-----



PARTS ILLUSTRATION FOR:
Lawn Roller PRT-360S BH





**PARTS LIST FOR:
Lawn Roller PRT-360S BH**

Item	Part No	Description	Qty
1	B-5353	Roller Assembly	1
2	B-5356-10	Scraper Frame Bar	1
3	B-5357-10	Frame Extension Bar	2
4	B-4786	Nylon Insert Nut, 5/16"	8
5	B-5121-PL	Plug	1
6	R-719	Nylon Bearing	2
7	R-892-10	Clevis Straps	2
8	F-577	"E" Ring 5/8"	2
9	R-1141-01	Spacer	1
10	45M2121P	Flat Washer 5/8"	4
11	10M1016P	Carriage Bolt 5/16" x 1"	4
12	10M1020P	Carriage Bolt 5/16" X 1/4"	2
13	10M1032P	Carriage Bolt 5/16" X 2"	2
14	B-4681	Log Decal	1
15	B-3861	Hitch Pin	1
16	D-146P	Hairpin Cotter 1/8"	1

Item	Part No	Description	Qty

Item	Part No	Description	Qty

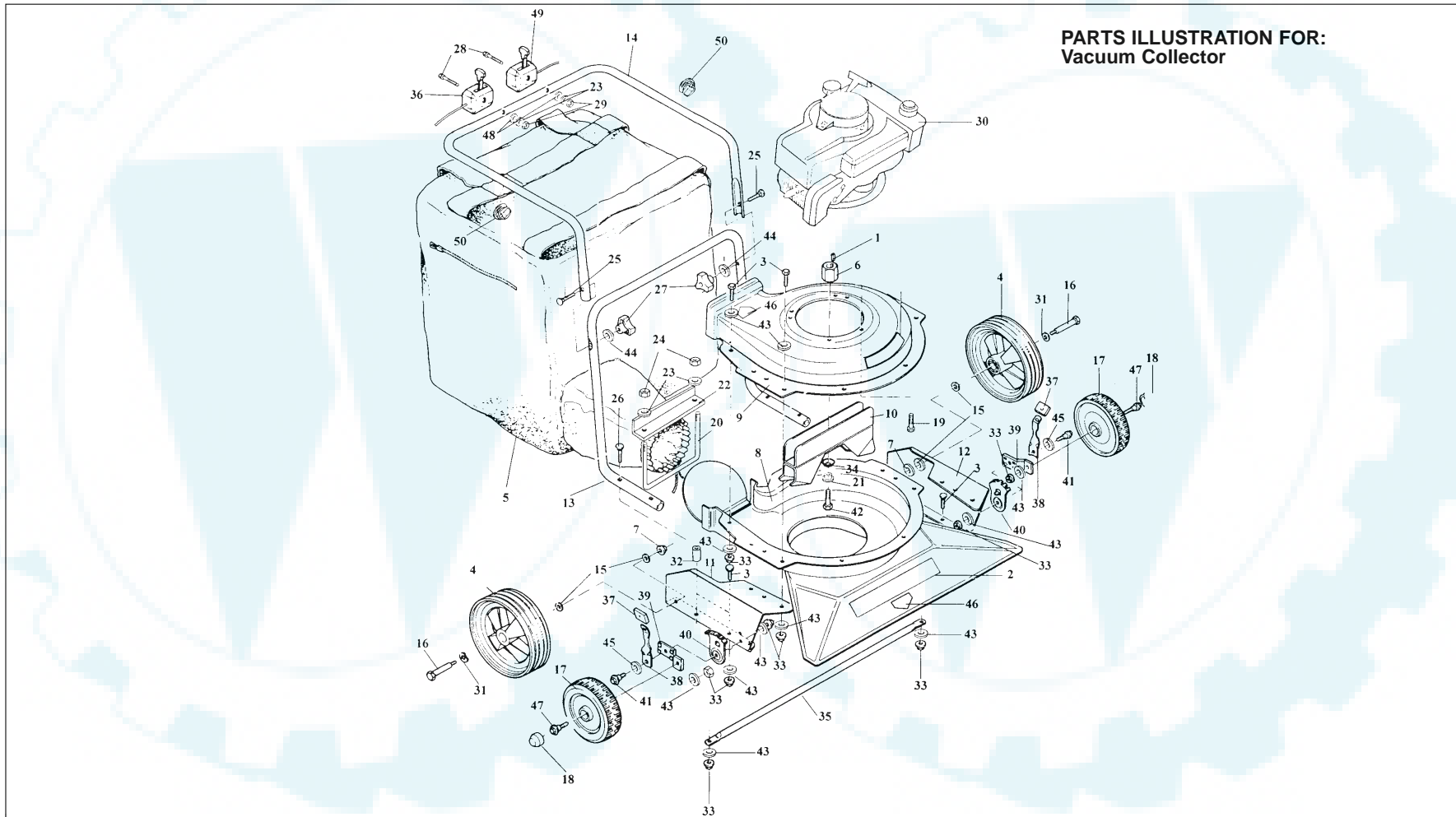
www.ersatzteil-service.de

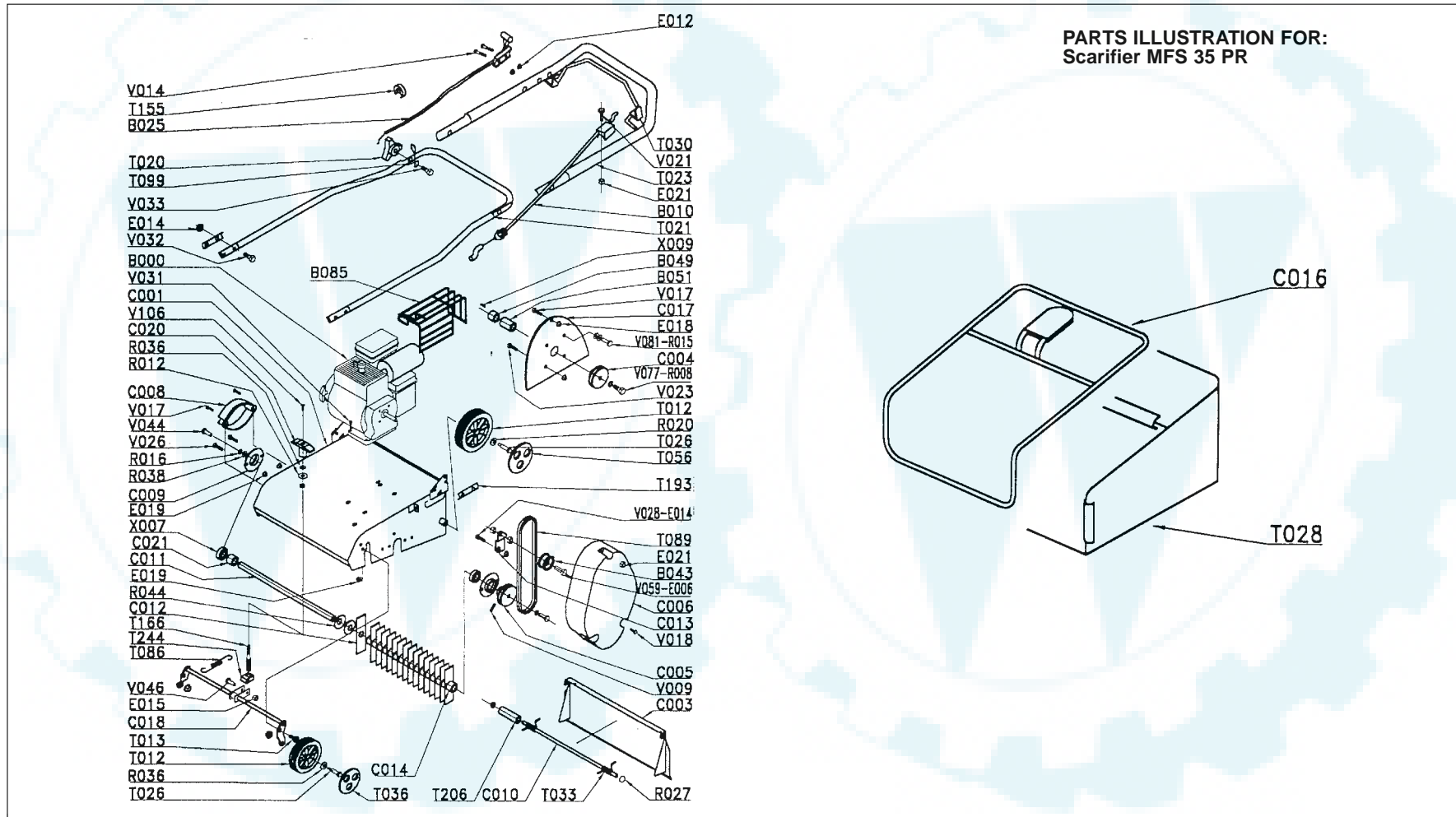
www.ersatzteilplan.de



GARDENER RANGE

Ihr Ersatzteilspezialist im Internet







PARTS LIST FOR: Scarifier MFS 35 PR

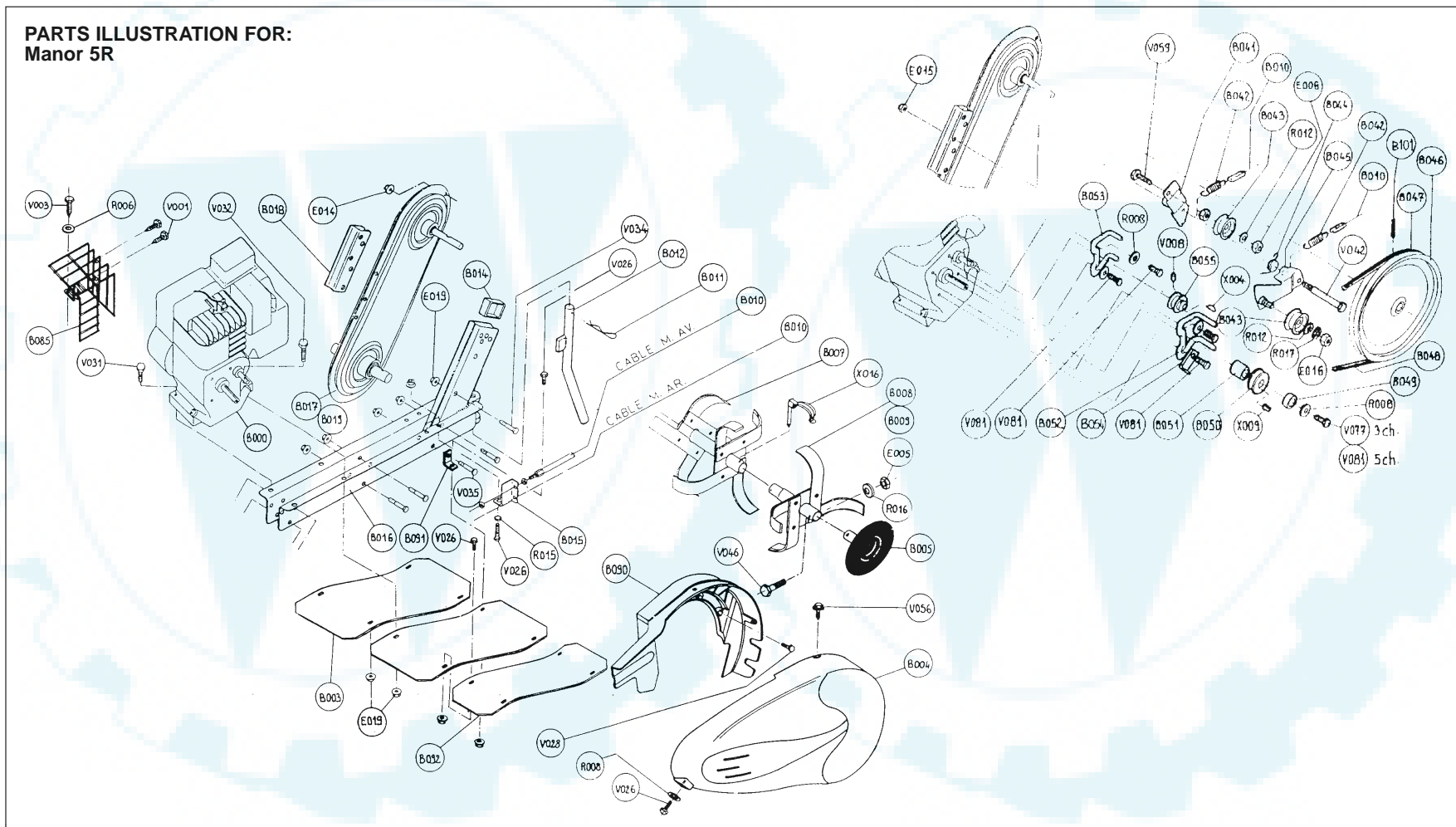
Item	Part No	Description	Qty
B000	00100212	Motor Briggs & Stratton 3HP	
B010	90710025	Clutch Cable	
B025	92100123	Control Accelerator with Cable	
B043	90100082	Roller Tensioner	
B049	90100191	Spacer D.19,5 x 23 L:8	
B051	90200039	Spacer D.19,5 x 23 L:30	
B085	90120450	Vacuum Protector	
C001	90710303/R	Scarifier Casing	
C003	90710020/N	Deflector	
C004	90710040	Pulley, Motor	
C005	90710060	Pulley	
C005	90710400/N	Pulley	
C006	90710070	Transmission Cover	
C008	90710090	Bush Cover	
C009	90710110	Bearing Housing	
C010	90710120	Deflector Rod	
C011	90710130	Blade Shaft	
C012	90710140	Blade	
C013	90710150	Roller Bracket	
C014	90710160	Blade Spacer	
C016	90710200	Grassbag Frame	
C017	90710015/N	Side Cheek	
C018	90710055/N	Axle, Front	
C020	90710069	Height Adjuster Knob	
C021	90710170	Spacer	
E006	90105502	Nut HM 12 ZN 8.8	
E012	90892078	Nut Locking M5 ZN	
E014	90100044	Nut Locking M8 ZN	
E015	90315001	Nut Locking M10 ZN	
E018	90805503	Nut Nyloc M6 ZN	
E019	90805504	Nut Nyloc M8 ZN	
E021	90105406	Nut M6	
R008	90107007	Washer D.8 ZN Large	
R012	90100067	Washer D.12 ZN	
R015	90107000	Washer Star D.8 ZN	

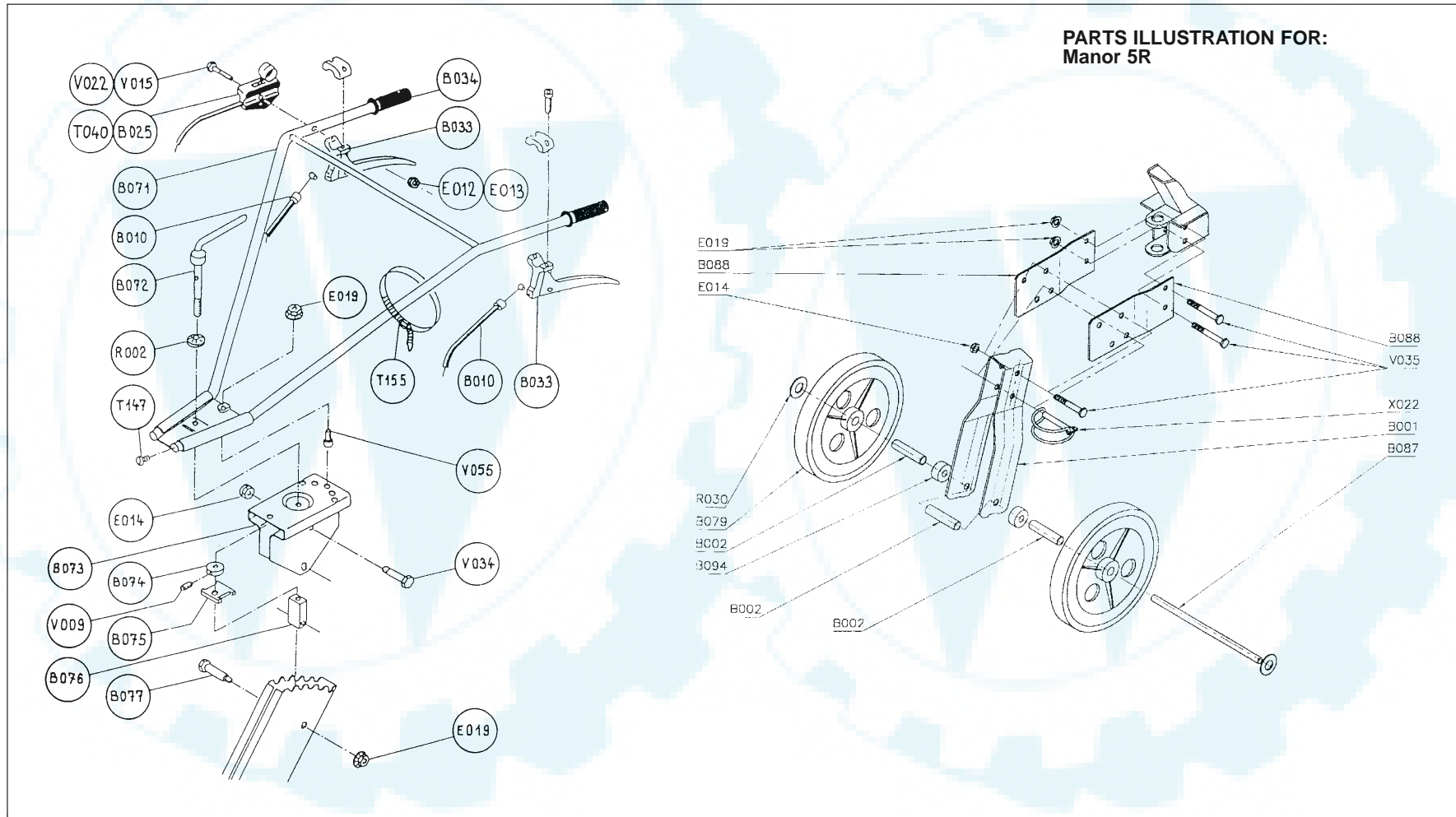
Item	Part No	Description	Qty
R016	90107003	Washer Star D.10 ZN	
R020	90892018	Washer	
R027	90892058	Washer Starlock D.6	
R036	91322037	Washer, Pressure	
R038	062300	Washer D.10	
R044	90105120	Washer	
T012	90892404	Wheel	
T012	90892503	Wheel	
T013	100403/8	Bolt	
T020	90892066	Handle, Plastic	
T021	90710100/N	Handle, Lower	
T023	90892370/N	Handle, Upper	
T026	M5757	Wheel Axle	
T028	90710210	Grassbag	
T030	90892387	Clutch Lever	
T033	97047823	Deflector Spring	
T036	90892442	Hub Cap	
T056	90892440	Hub Cap	
T086	90803098	Belt, Tension Spring	
T089	90805062	Belt	
T099	100840/8	Pull Cord Hook	
T155	90100692	Cable Clip	
T166	90710065	Height Adjuster Shaft	
T206	90895008	Spacer	
T244	90710066	Nut	
V009	97046087	Screw M8 x 16	
V014	90105104	Screw HM 5 x 40	
V017	90105082	Screw HM 6 x 16 ZN	
V018	90105001	Screw HM 6 x 25 ZN	
V021	90105085	ScrewHM 6 x 40 ZN	
V023	90105086	Screw HM 6 x 60 ZN	
V026	90105059	Screw HM 8 x 16 ZN	
V028	90105005	Screw HM 8 x 25 ZN	
V031	92005018	Screw HM 8 x 35 ZN	
V033	90105089	Screw HM 8 x 45 ZN	

Item	Part No	Description	Qty
V044	90105027	Screw HM 10 x 30 ZN	
V046	90105009	Screw HM 10 x 50 ZN	
V059	90105070	Screw HM 12 x 35 ZN	
V077	90892147	Screw UNF 1/4 x 3/4	
V081	90105025	Screw UNF 5/16 x 3/4	
V016	064000	Washer	
X007	90710175	Bearing	
X009	9200087	Key, Shaft	



**PARTS ILLUSTRATION FOR:
Manor 5R**







PARTS LIST FOR: Manor 5R

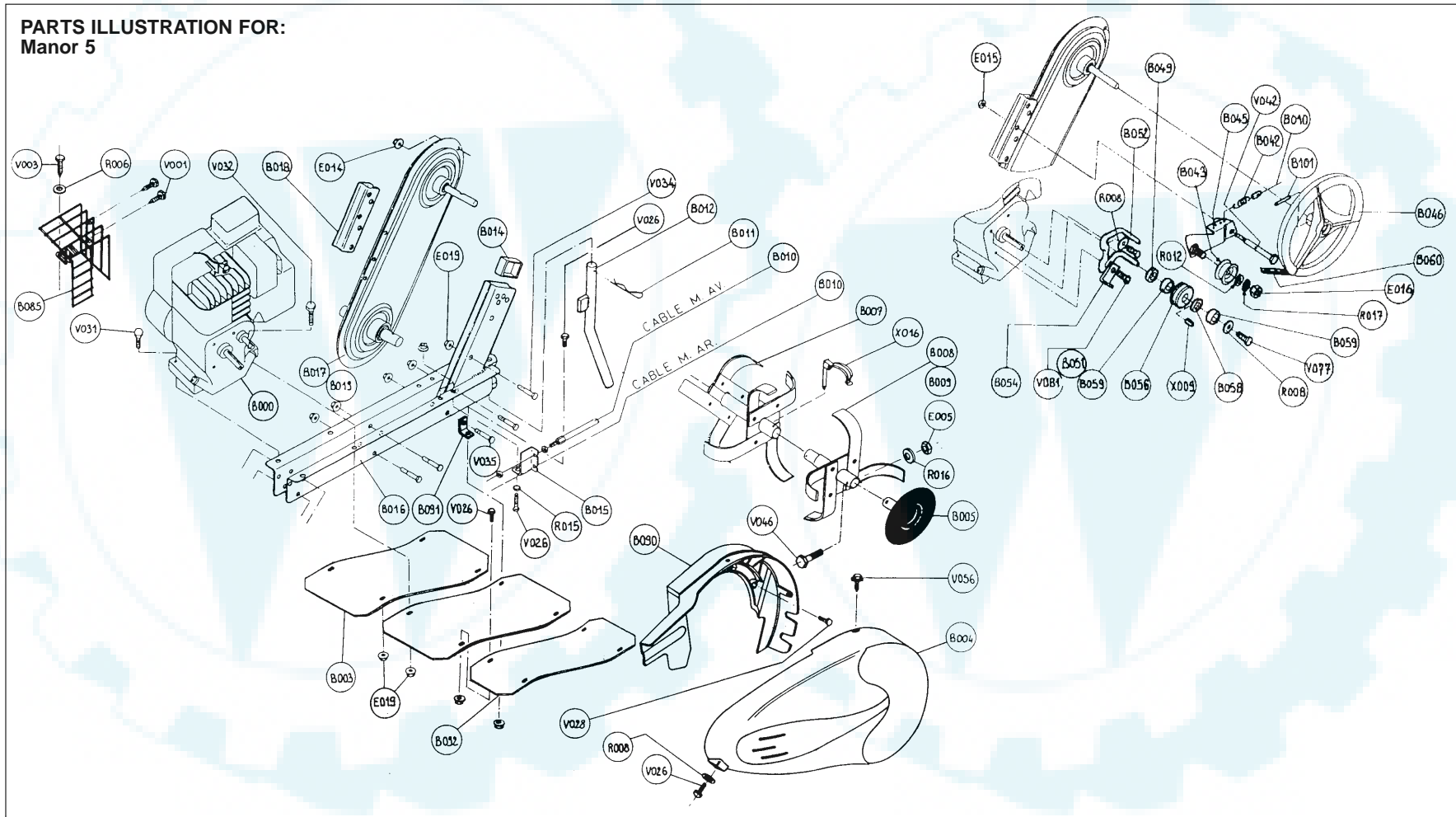
Item	Part No	Description	Qty
B000	00100214	Motor Briggs & Stratton 5HP	
B001	92100046/N	Support, Wheel Front	
B002	92005263	Spacer, Wheel Front	
B003	92005268/R	Safety Guard	
B004	92005265	Belt Guard	
B007	00010929	Blade Assembly, Riveted, Black	
B010	92100075	Cable, Clutch, FWD/REV	
B011	92000016	Pin, Shaft	
B012	92005109/N	Prop, Non-adjustable	
B015	92005141	Tab, Sheath Stop	
B016	92005235/R	Chassis	
B018	92005142/N	Spacer, Support Link Mechanism	
B019	92005100/R	Platform, Bolted	
B025	92100151	Throttle Cable	
B033	90100200	Control Lever	
B034	90100061	Handle, Rubber	
B041	92005148	Link-rod, Reverse	
B042	90100056	Spring, Cable	
B043	90100082	Roller, Tensionner	
B044	92005149	Spring, Return Link-rods	
B045	92005147	Link-rod, Forward	
B046	92005205	Wheel	
B047	92005170	Belt, Reverse Z44	
B048	92005169	Belt, Forward A 48 ^{3/4}	
B049	90100191	Spacer, D.19,5 x 23 L:8	
B050	90100027	Pulley, Drive FWD	
B051	90200039	Spacer D.19,5 x 23 L:30	
B052	92005167	Guide, Forward Belt	
B053	92005168	Bracket	
B054	92005274	Bracket	
B055	92005153	Pulley, Drive REV	
B071	92005211	Handle	
B072	92005234	Lever	
B073	92005160	Bracket	
B074	92005231	Spacer	

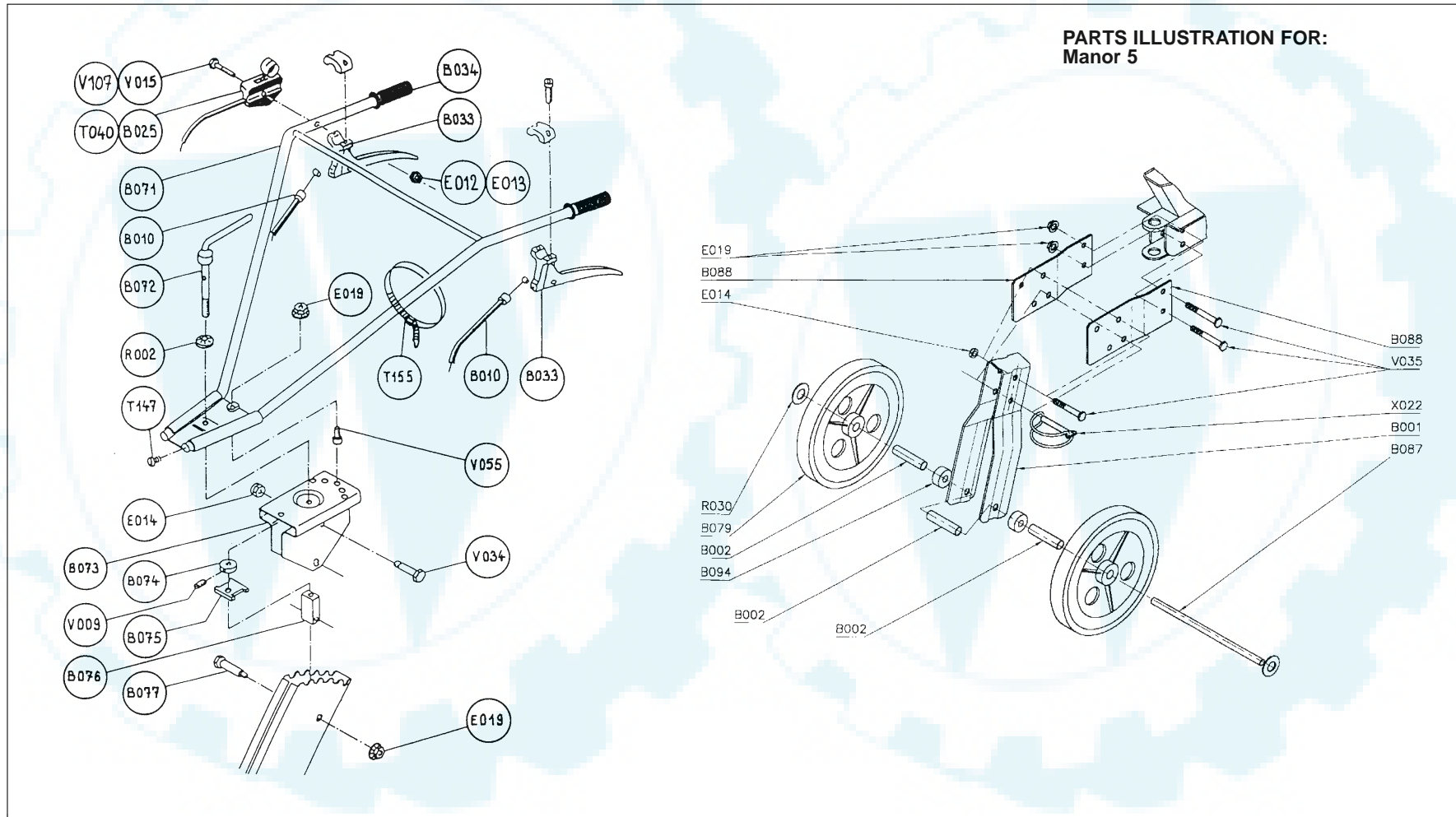
Item	Part No	Description	Qty
B075	92005174	Bracket	
B076	92005233	Bracket	
B077	92005171	Bolt	
B079	92005113	Wheel D 200	
B085	90120451	Safety Guard	
B087	92100101	Axle	
B088	92100102/N	Side Plate	
B090	92005266	Inner Safety Guard	
B091	92005273	Bracket	
B094	90100579	Spacer	
B101	92005206	Pin	
E005	90105509	Nut HM 10 ZN	
E006	90105502	Nut HM 12	
E013	90896083	Nut	
E014	90100044	Nut, Locking M8	
E015	90315001	Nut, Locking M10	
E016	90105511	Nut	
E019	90805504	Nut, Nyloc M8	
R002	92005172	Shakeproof Washer	
R006	90105058	Washer	
R008	90107007	Washer D.8 Large	
R015	90107000	Washer Star D.8	
R016	90107003	Washer Star D.10	
R030	92100074	Washer	
T147	92100107	Grommet	
T155	90100670	Cable Clips	
T180	M7354	Plaque (not illustrated)	
V003	90892074	Screw	
V008	92100081	Screw	
V009	97046087	Screw	
V017	90105082	Screw	
V026	90105059	Screw HM 8 x 16 ZN	
V027	90105004	Screw	
V031	92005018	Screw HM 8 x 35 ZN	
V032	92005020	Screw HM 8 x 40 ZN	

Item	Part No	Description	Qty
V034	90800019	Screw HM 8 x 50 ZN	
V035	90892057	Bolt	
V042	92005150	Screw HM 10 x 140 ZN	
V046	90105009	Nut HM 10 ZN	
V055	90800008	Stud	
V056	100216/0	Screw	
V059	90105070	Screw	
V081	90105025	Screw UNF 5/16 x 3/4	
V107	064200	Bolt	
X004	92100072	Key, Disk	
X009	92000087	Key, Shaft	
X022	92100103	Spring Clip	



**PARTS ILLUSTRATION FOR:
Manor 5**





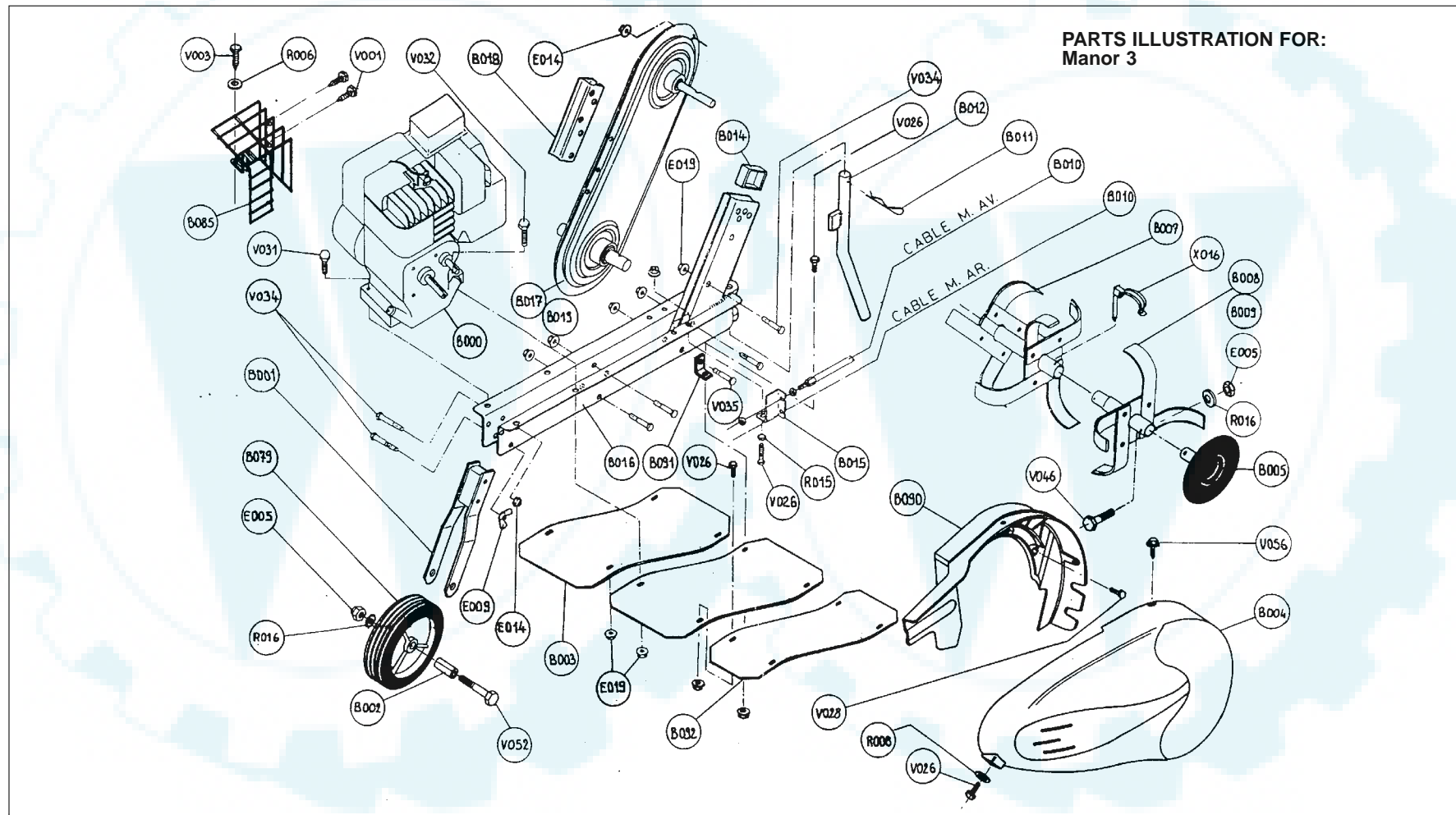


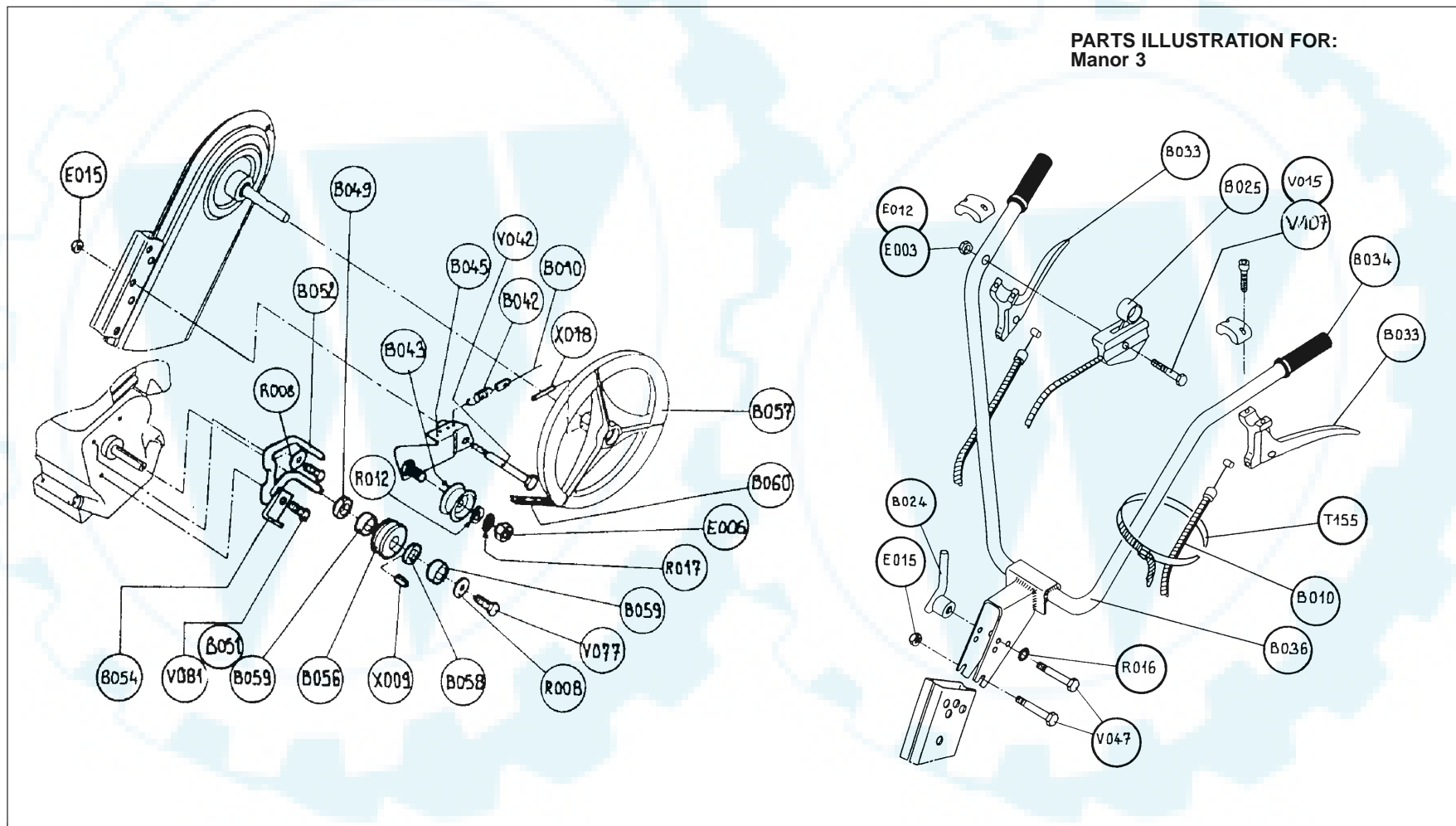
PARTS LIST FOR: Manor 5

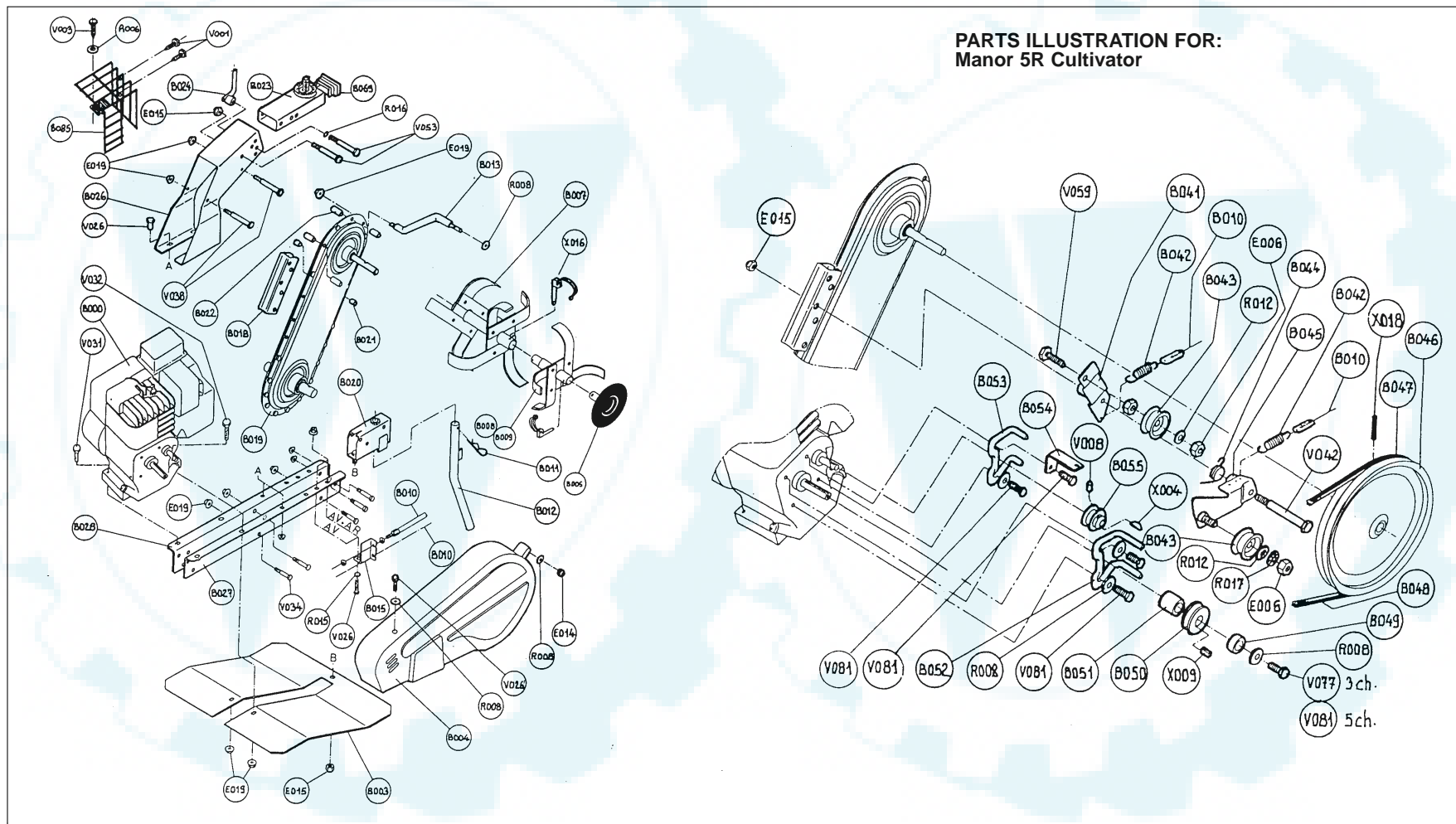
Item	Part No	Description	Qty
B000	00100214	Motor Briggs & Stratton 5HP	
B001	92100046/N	Support, Wheel Front	
B002	92005263	Spacer, Wheel Front	
B003	92005268/R	Safety Guard	
B004	92005265	Belt Guard	
B007	00010929	Blade Assembly, Riveted, Black	
B010	92100075	Cable, Clutch, FWD/REV	
B011	92000016	Pin, Shaft	
B012	92005109/N	Prop, Non-adjustable	
B015	92005141	Tab, Sheath Stop	
B016	92005235/R	Chassis	
B018	92005142/N	Spacer, Support Link Mechanism	
B019	92005100/R	Platform, Bolted	
B025	92100151	Throttle Cable	
B033	90100060	Lever, Clutch REV	
B034	90100061	Handle, Rubber	
B042	90100056	Spring, Cable	
B043	90100082	Roller, Tensionner	
B045	92005147	Link-rod, Forward	
B046	92005205	Wheel	
B052	92005167	Guide, Forward Belt	
B053	92005274	Bracket	
B054	90100005	Tab, Front Pulley Cover	
B056	92005145	Pulley, Drive FWD "10"	
B060	90900287	Belt, Forward SPZ 1280	
B071	92005211	Handle	
B072	92005234	Lever	
B073	92005160	Bracket	
B074	92005231	Spacer	
B075	92005174	Bracket	
B076	92005233	Bracket	
B077	92005171	Bolt	
B079	92005113	Wheel D 200	
B085	90120451	Safety Guard	
B087	92100101	Axle	

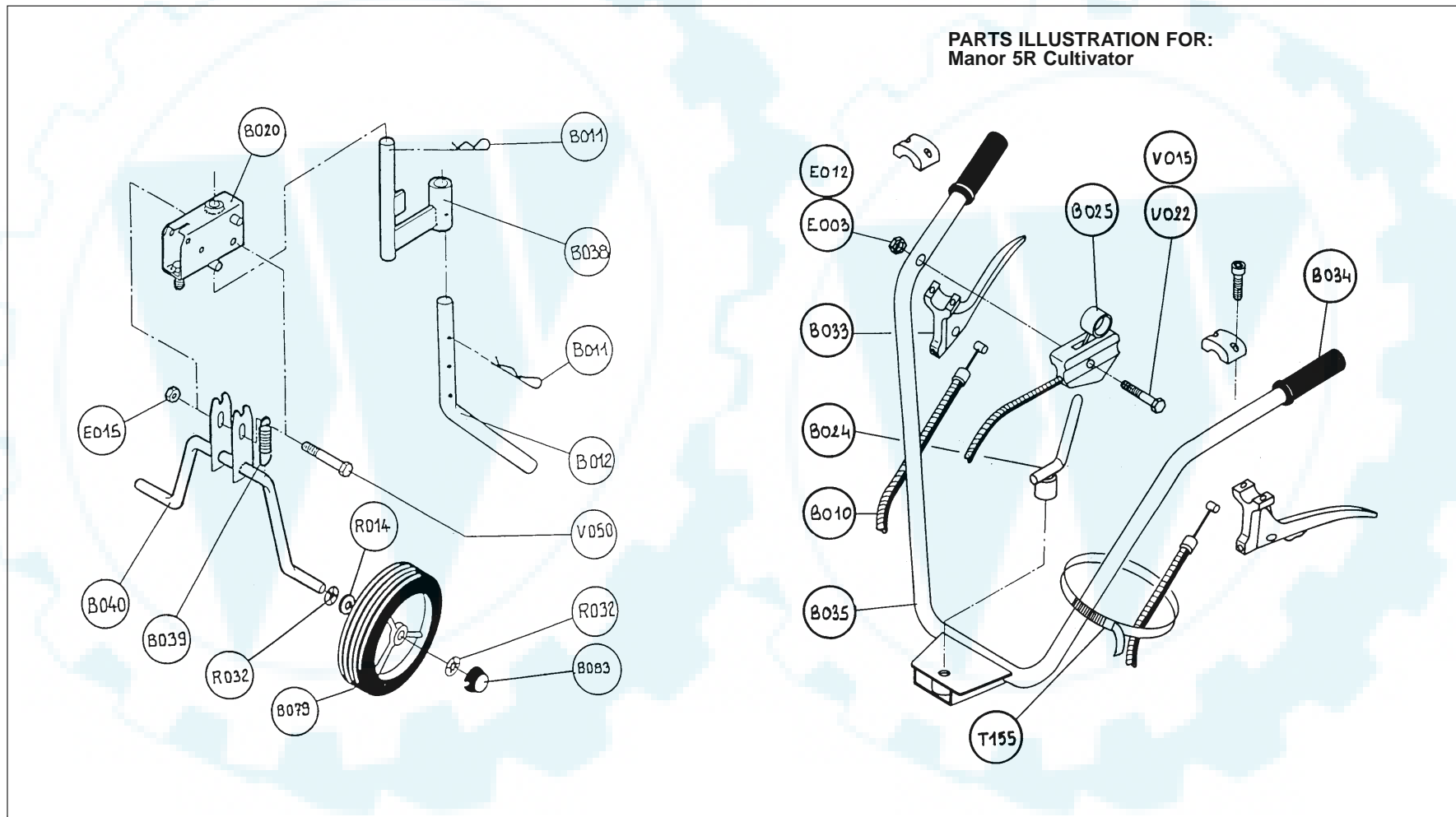
Item	Part No	Description	Qty
B088	92100102/N	Bracket	
B090	92005266	Inner Safety Guard	
B091	92005273	Bracket	
B094	90100579	Spacer	
B101	92005206	Pin	
E005	90105509	Nut HM 10 ZN	
E013	90896083	Nut	
E014	90100044	Nut, Locking M8	
E015	90315001	Nut, Locking M10	
E016	90105511	Nut	
E019	90805504	Nut, Nyloc M8	
R002	92005172	Shakeproof Washer	
R006	90105058	Washer	
R008	90107007	Washer D.8 Large	
R012	90100067	Washer D.12	
R015	90107000	Washer Star D.8	
R016	90107003	Washer Star D.10	
R030	92100074	Washer	
T147	92100107	Grommet	
T155	90100670	Cable Clips	
V003	90892074	Screw	
V009	97046087	Screw	
V026	90105059	Screw HM 8 x 16 ZN	
V031	92005018	Screw HM 8 x 35 ZN	
V032	92005020	Screw HM 8 x 40 ZN	
V034	90800019	Screw HM 8 x 50 ZN	
V035	90892057	Bolt	
V042	92005150	Screw HM 10 x 140 ZN	
V046	90105009	Nut HM 10 ZN	
V055	90800008	Stud	
V056	100216/0	Screw	
V078	90105060	Screw UNF 5/16 x 1/2	
V081	90105025	Screw UNF 5/16 x 3/4	
V107	064200	Bolt	
X009	92000087	Key, Shaft	

Item	Part No	Description	Qty
X022	92100103	Spring Clip	









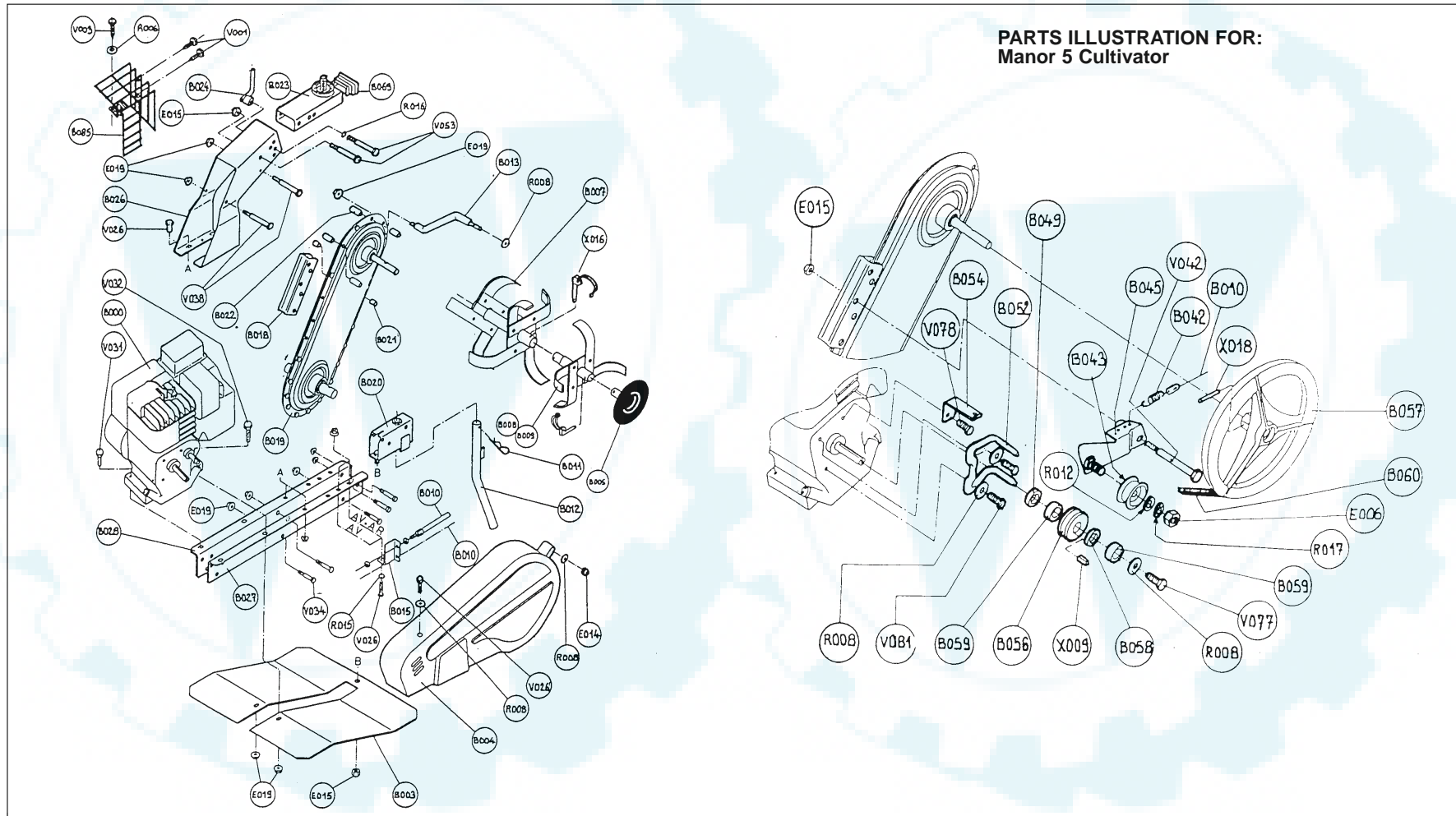


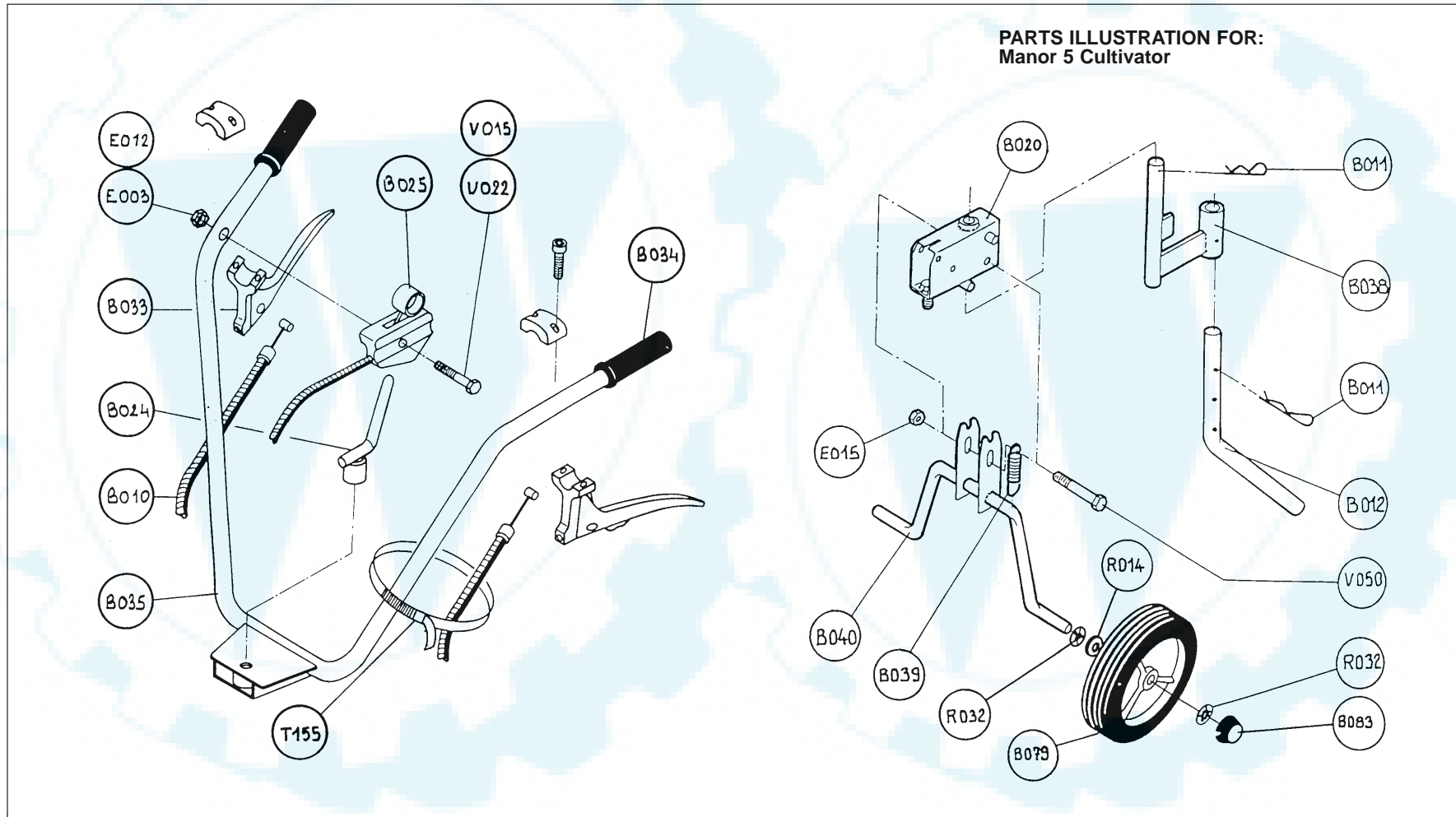
PARTS LIST FOR: Manor 5R Cultivator

Item	Part No	Description	Qty
B000	00100214	Motor Briggs & Stratton 5HP	
B003	92005165/R	Protector Blade Assembly	
B004	92100113	Cover Belt	
B005	00010900	Disk Plant Protection	
B007	00010929	Blade Assembly, Riveted	
B010	92100075	Cable Clutch	
B011	92000016	Pin Shaft	
B012	92005189	Prop, Adjustable	
B013	92005158	Rod, Pulley Cover	
B015	92005141	Tab Sheath Stop	
B018	92005142/R	Spacer, Support Link Mechanism	
B019	92005100/R	Platform Bolted	
B020	92005178/R	Fork-end, Rear	
B021	92005188	Spacer L:16	
B022	92005187	Spacer L:22	
B023	92005107/N	Bar Connecting	
B024	92100036	Lever Locking Handlebar	
B025	92100123	Control Accelerator with Cable	
B026	92005106	Bracket	
B027	92005128/R	Fork-beam, RH	
B028	92005129/R	Fork-beam, LH	
B033	90100060	Lever Clutch	
B034	90100061	Handle Rubber	
B035	92005195	Handlebar PRO	
B038	92005115	Support, Adjustable Prop	
B039	92005139	Spring, Return	
B040	92005136/N	Support, Rear Wheel	
B041	92005148	Link Rod, Reverse	
B042	90100056	Spring Cable	
B043	90100082	Roller Tensionner	
B044	92005149	Spring, Return Link Rod	
B045	92005147	Link, Rod Forward	
B046	92005183	Pullet, Sheet Metal FWD/REV	
B047	92005170	Belt, Reverse	
B048	92005169	Belt, Forward	

Item	Part No	Description	Qty
B049	90100191	Spacer D.19,5 x 23 L:8	
B051	90200039	Spacer D.19,5 x 23 L:30	
B052	92005167	Guide, Forward Belt	
B053	92005168	Guide, Reverse Belt	
B054	90100005	Tab, Front Pulley Cover	
B055	92005153	Pulley Drive, Reverse	
B079	92005113	Wheel D 200	
E005	90105509	Nut HM 10 ZN	
E006	90105502	Nut HM 12 ZN	
E012	90892078	Nut Locking M5 ZN	
E014	90100044	Nut Locking M8 ZN	
E015	90315001	Nut Locking M10 ZN	
E019	90805504	Nut Nyloc M8 ZN	
R008	90107007	Washer D.8 ZN	
R012	90100067	Washer D.12 ZN	
R014	90800015	Washer D.14 ZN	
R015	90107000	Washer Star D.8 ZN	
R016	90107003	Washer Star D.10 ZN	
R017	90107005	Washer Star D.12 ZN	
R032	90807005	Washer Starlock D.14	
T155	90100670	Cable Clips	
V003	90892074	Screw HM 6 x 12	
V008	92100081	Screw Cup M6 x 8	
V015	90103105	Screw HM 5 x 45 ZN	
V026	90105059	Screw HM 8 x 16 ZN	
V031	92005018	Screw HM 8 x 35 ZN	
V032	92005020	Screw HM 8 x 40 ZN	
V034	90800019	Screw HM 8 x 50 ZN	
V038	90105079	Screw HM 8 x 90 ZN	
V042	92005150	Screw HM 10 x 140 ZN	
V050	90105043	Screw HM 10 x 70 ZN	
V053	90105061	Screw HM 10 x 90 ZN	
V055	90800008	Screw CHC 8 x 12 ZN	
V059	90105070	Screw HM 12 x 35 ZN	
V081	90105025	Screw UNF 5/16 x 3/4	

Item	Part No	Description	Qty
X004	92100072	Key Disk	
X009	92000087	Key Shaft	
X016	90195012	Pin Blade	
X018	90100054	Pin Spring	





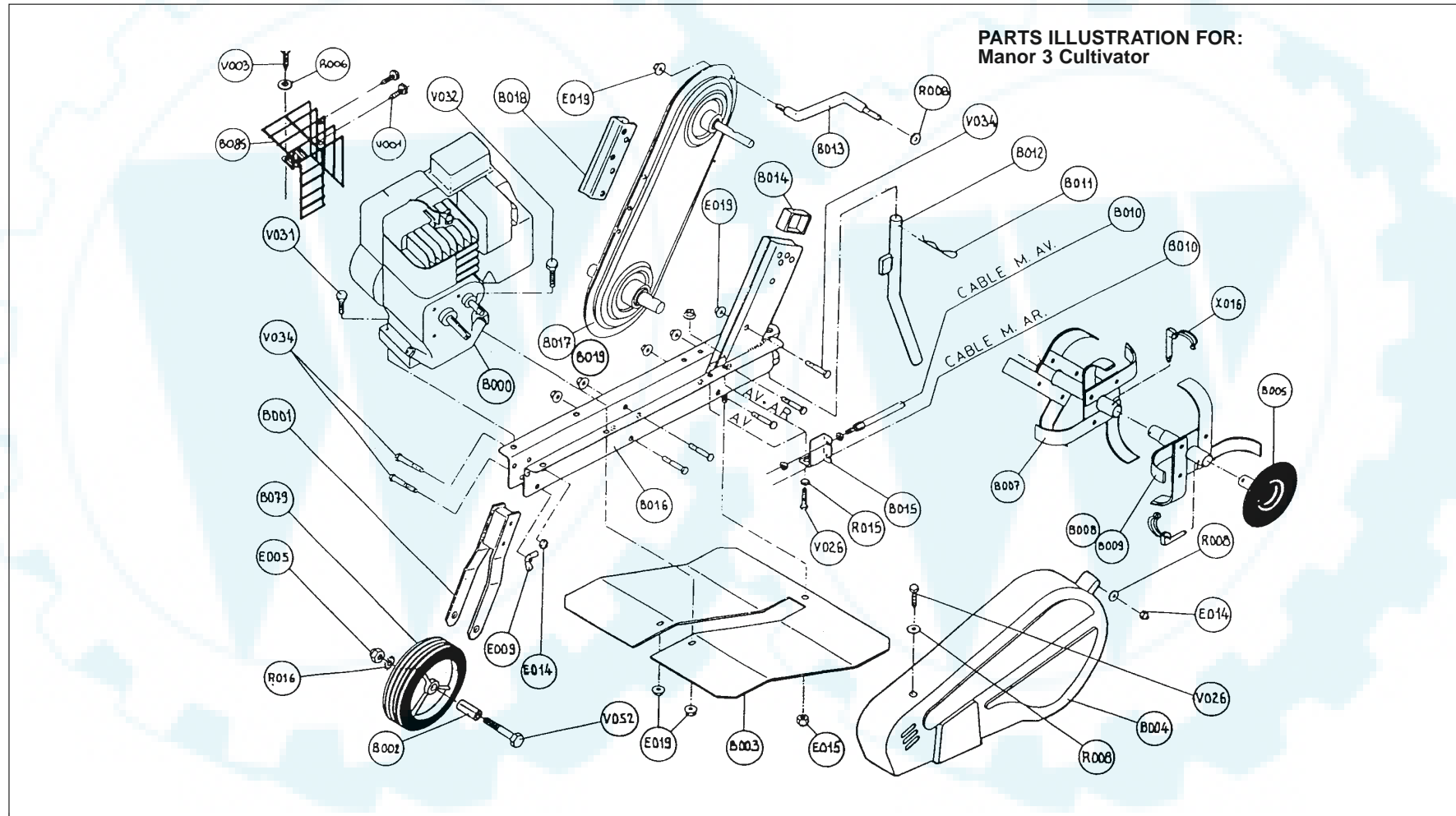


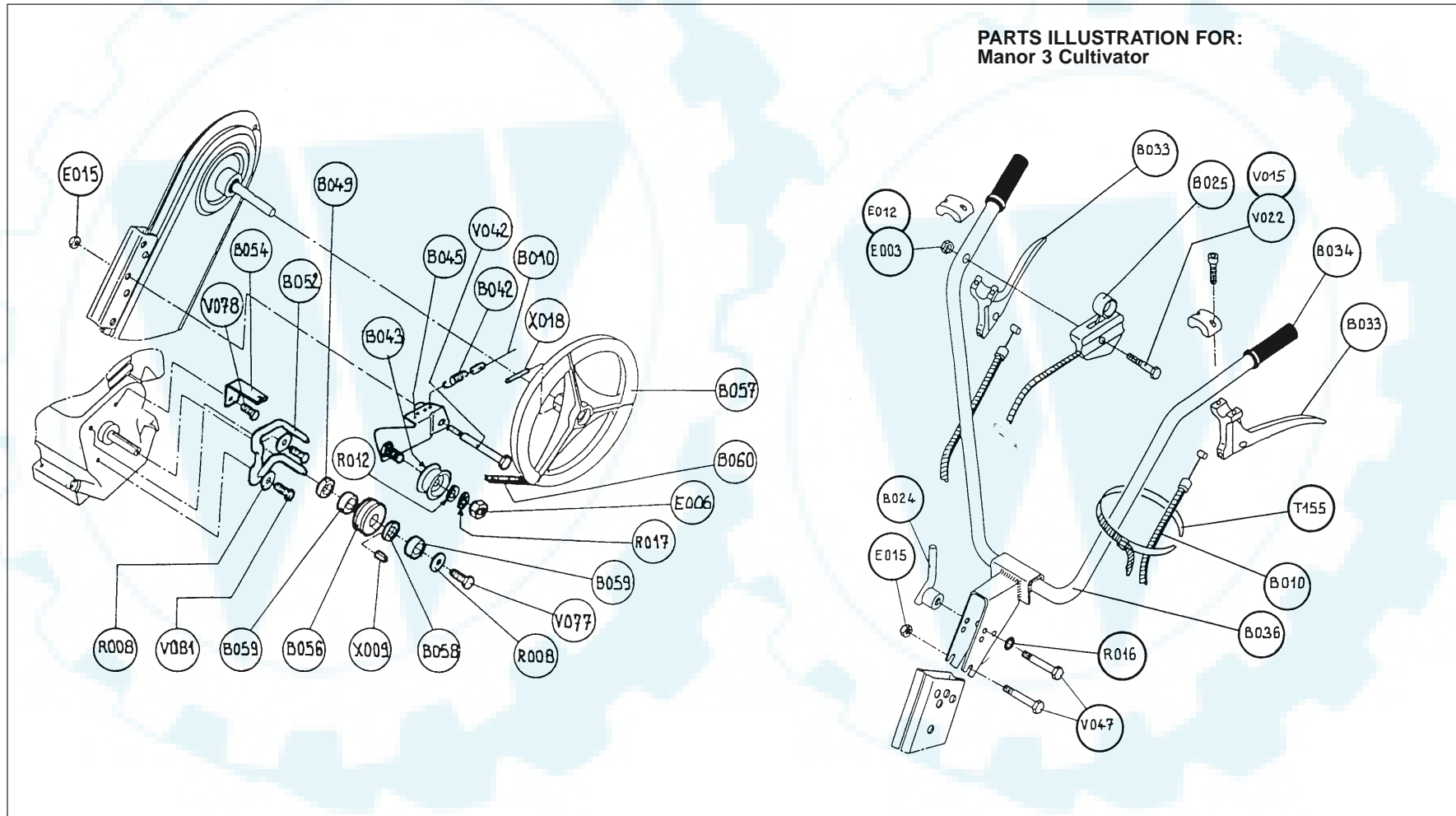
PARTS LIST FOR: Manor 5 Cultivator

Item	Part No	Description	Qty
B000	00100214	Motor Briggs & Stratton 5HP	
B003	92005165/R	Protector Blade Assembly	
B004	92100113	Cover Belt	
B005	00010900	Disk Plant Protection	
B007	00010929	Blade Assembly, Riveted	
B010	92100075	Cable Clutch	
B011	92000016	Pin Shaft	
B012	92005189	Prop, Adjustable	
B013	92005158	Rod Pulley Cover	
B015	92005141	Tab Sheath Stop	
B018	92005142/R	Spacer Support Link Mechanism	
B019	92005100/R	Platform, Bolted	
B020	92005178/R	Fork-end, Rear	
B021	92005188	Spacer L:16	
B022	92005187	Spacer L:22	
B023	92005107/N	Bar Connecting	
B024	92100036	Lever Locking Handlebar	
B025	92100123	Control Accelerator with Cable	
B026	92005106	Bracket	
B027	92005128/R	Fork-beam, RH	
B028	92005129/R	Fork-beam, LH	
B033	90100060	Lever Clutch	
B034	90100061	Handle Rubber	
B035	92005195	Handlebar PRO	
B038	92005115	Support, Adjustable Prop	
B039	92005139	Spring, Return	
B040	92005136/N	Support, Rear Wheel	
B042	90100056	Spring Cable	
B043	90100082	Roller Tensionner	
B045	92005147	Link Rod, Forward	
B049	90100191	Spacer D.19,5 x 23 L:8	
B052	92005167	Guide, Forward Belt	
B054	90100005	Tab, Front Pulley Cover	
B056	92005145	Pulley, Motor	
B057	90100030	Pulley, Simple	

Item	Part No	Description	Qty
B058	90100192	Spacer D.19,5 x 23 L:5	
B059	90100098	Spacer D.19,5 x 23 L:12	
B060	90900287	Belt	
B069	92000109	Plug, Blanking Plastic	
B079	92005113	Wheel D 200	
B085	90120451	Vaccum Protector	
E005	90105509	Nut HM 10 ZN	
E006	90105502	Nut HM 12 ZN	
E012	90892078	Nut Locking M5 ZN	
E014	90100044	Nut Locking M8 ZN	
E015	90315001	Nut Locking M10 ZN	
E019	90805504	Nut Nyloc M8 ZN	
R008	90107007	Washer D.8 ZN	
R012	90100067	Washer D.12 ZN	
R014	90800015	Washer D.14 ZN	
R015	90107000	Washer Star D.8 ZN	
R016	90107003	Washer Star D.10 ZN	
R017	90107005	Washer Star D.12 ZN	
R032	90807005	Washer Starlock D.14	
T155	90100670	Cable Clips	
V003	90892074	Screw HM 6 x 12	
V015	90103105	Screw HM 5 x 45 ZN	
V026	90105059	Screw HM 8 x 16 ZN	
V031	92005018	Screw HM 8 x 35 ZN	
V032	92005020	Screw HM 8 x 40 ZN	
V034	90800019	Screw HM 8 x 50 ZN	
V038	90105079	Screw HM 8 x 90 ZN	
V042	92005150	Screw HM 10 x 140 ZN	
V050	90105043	Screw HM 10 x 70 ZN	
V053	90105061	Screw HM 10 x 90 ZN	
V055	90800008	Screw CHC 8 x 12 ZN	
V078	90105060	Screw UNF 5/16 x 1/2	
V081	90105025	Screw UNF 5/16 x 3/4	
X004	92100072	Key Disk	
X009	92000087	Key Shaft	

Item	Part No	Description	Qty
X016	90195012	Pin Blade	
X018	90100054	Pin Spring	







PARTS LIST FOR: Manor 3 Cultivator

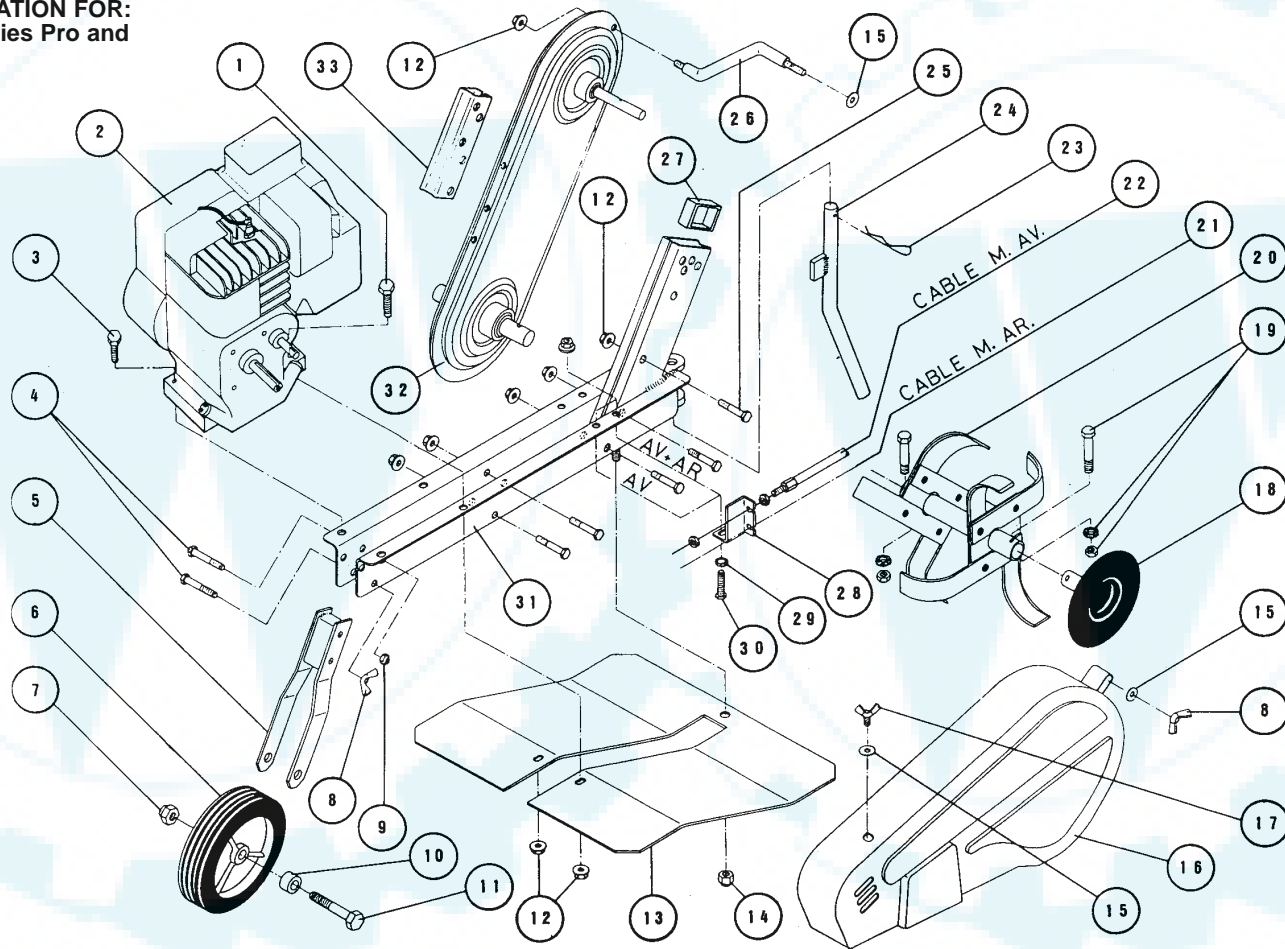
Item	Part No	Description	Qty
B000	00100212	Motor Briggs & Stratton 3HP	
B001	92100046/N	Support Wheel, Front	
B002	92005263	Spacer Wheel, Front	
B003	92005201/R	Protector Blade Assembly	
B004	92100124	Cover Belt	
B007	00010929	Blade Assembly, Riveted	
B010	92100075	Cable Clutch	
B011	92000016	Pin Shaft	
B012	92005109	Prop, Non Adjustable	
B013	92005158	Rod Pulley Cover	
B014	92005164/N	Spacing Connecting Bar	
B015	92005141	Tab Sheath Stop	
B016	92005122/R	Chassis, Welded	
B017	92005101/R	Platform, Welded	
B018	92005142/R	Spacer Support Link Mechanism	
B024	92100036	Lever Locking Handlebar	
B025	92100123	Control Accelerator with Cable	
B033	90100060	Lever Clutch	
B034	90100061	Handle Rubber	
B036	92005123/N	Handlebar NEW	
B042	90100056	Spring Cable	
B043	90100082	Roller Tensionner	
B045	92005147	Link Rod Forward	
B049	90100191	Spacer D.19,5 x 23 L:8	
B052	92005167	Guide Forward Belt	
B054	90100005	Tab Front Pulley Cover	
B056	92005145	Pulley Motor	
B057	90100030	Pulley Simple	
B058	90100192	Spacer D.19,5 x 23 L:5	
B059	90100098	Spacer D.19,5 x 23 L:12	
B060	G90900287	Belt	
B079	92005113	Wheel D 200	
B085	90120450	Vaccum Protector	
E005	90105509	Nut HM 10 ZN	
E006	90105502	Nut HM 12 ZN	

Item	Part No	Description	Qty
E009	90105510	Nut Wing M8	
E012	90892078	Nut Locking M5 ZN	
E014	90100044	Nut Locking M8 ZN	
E015	90315001	Nut Locking M10 ZN	
E019	90805504	Nut Nyloc M8 ZN	
R008	90107007	Washer D.8 ZN	
R012	90100067	Washer D.12 ZN	
R015	90107000	Washer Star D.8 ZN	
R016	90107003	Washer Star D.10 ZN	
R017	90107005	Washer Star D.12 ZN	
T155	90100670	Cable Clips	
V001	90105047	Screw H 4,8 x 19	
V015	90103105	Screw HM 5 x 45 ZN	
V026	90105059	Screw HM 8 x 16 ZN	
V031	92005018	Screw HM 8 x 35 ZN	
V032	92005020	Screw HM 8 x 40 ZN	
V034	90800019	Screw HM 8 x 50 ZN	
V042	92005150	Screw HM 10 x 140 ZN	
V047	90105071	Screw HM 10 x 55 ZN	
V052	90105076	Screw HM 10 x 80 ZN	
V077	90892147	Screw UNF 1/4 x 3/4	
V078	90105060	Screw UNF 5/16 x 1/2	
V081	90105025	Screw UNF 5/16 x 3/4	
X009	92000087	Key Shaft	
X016	90195012	Pin Blade	
X018	90100054	Pin Spring	

Item	Part No	Description	Qty

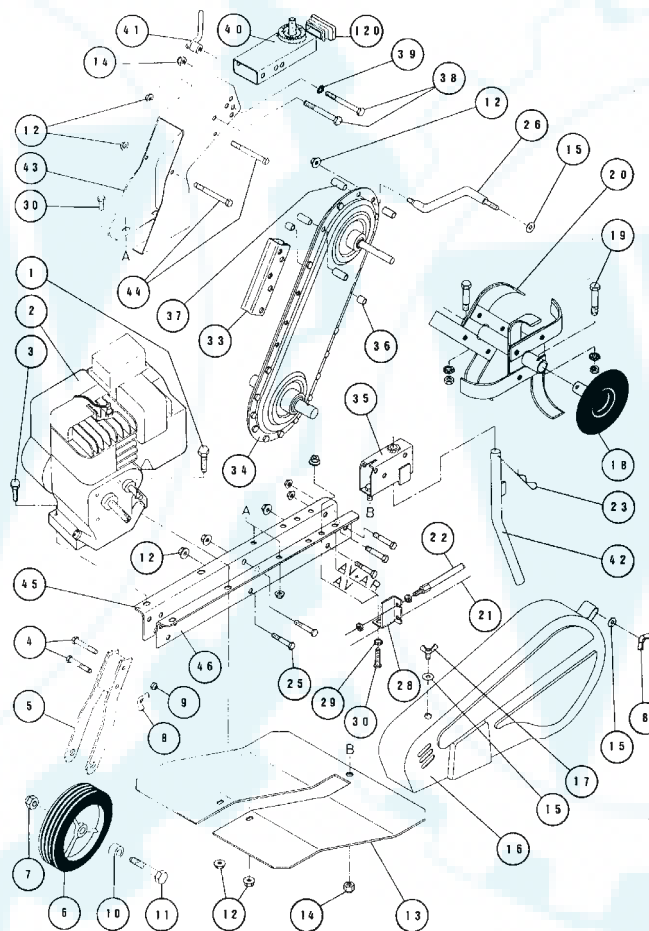


**PARTS ILLUSTRATION FOR:
Motobineuse Series Pro and
Series New**



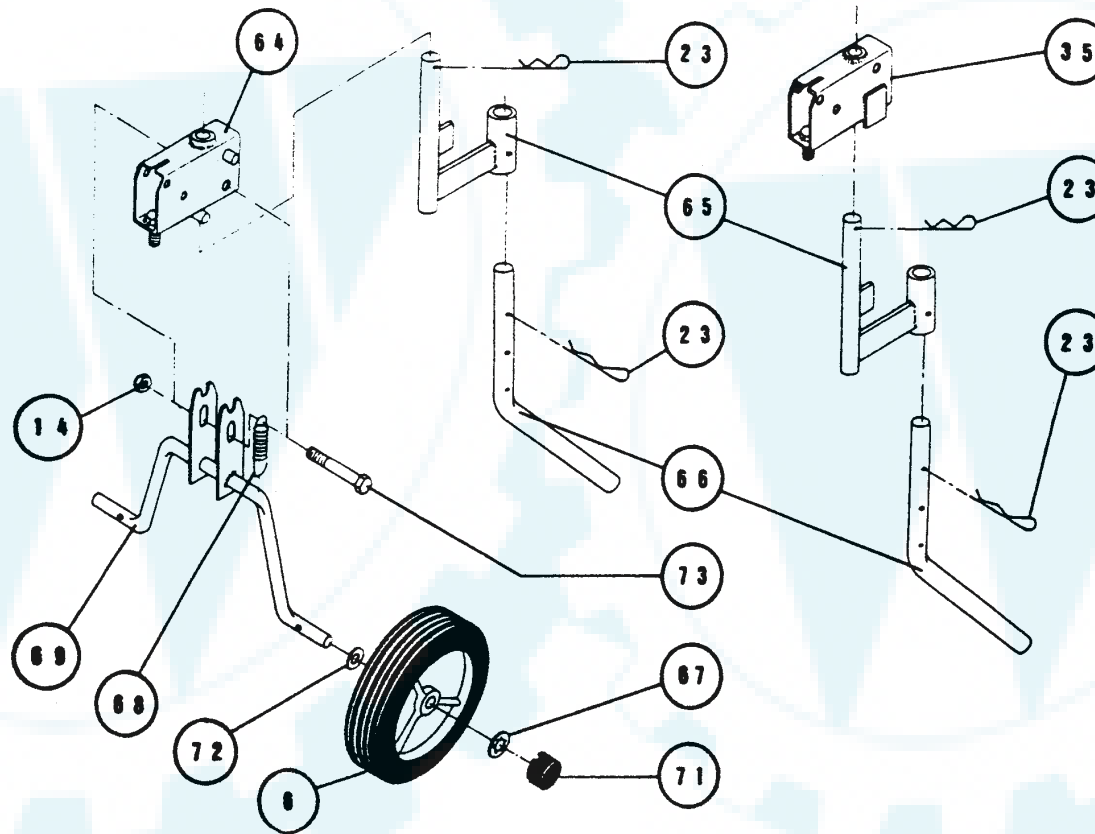


**PARTS ILLUSTRATION FOR:
Motobineuse Series 400 PB**



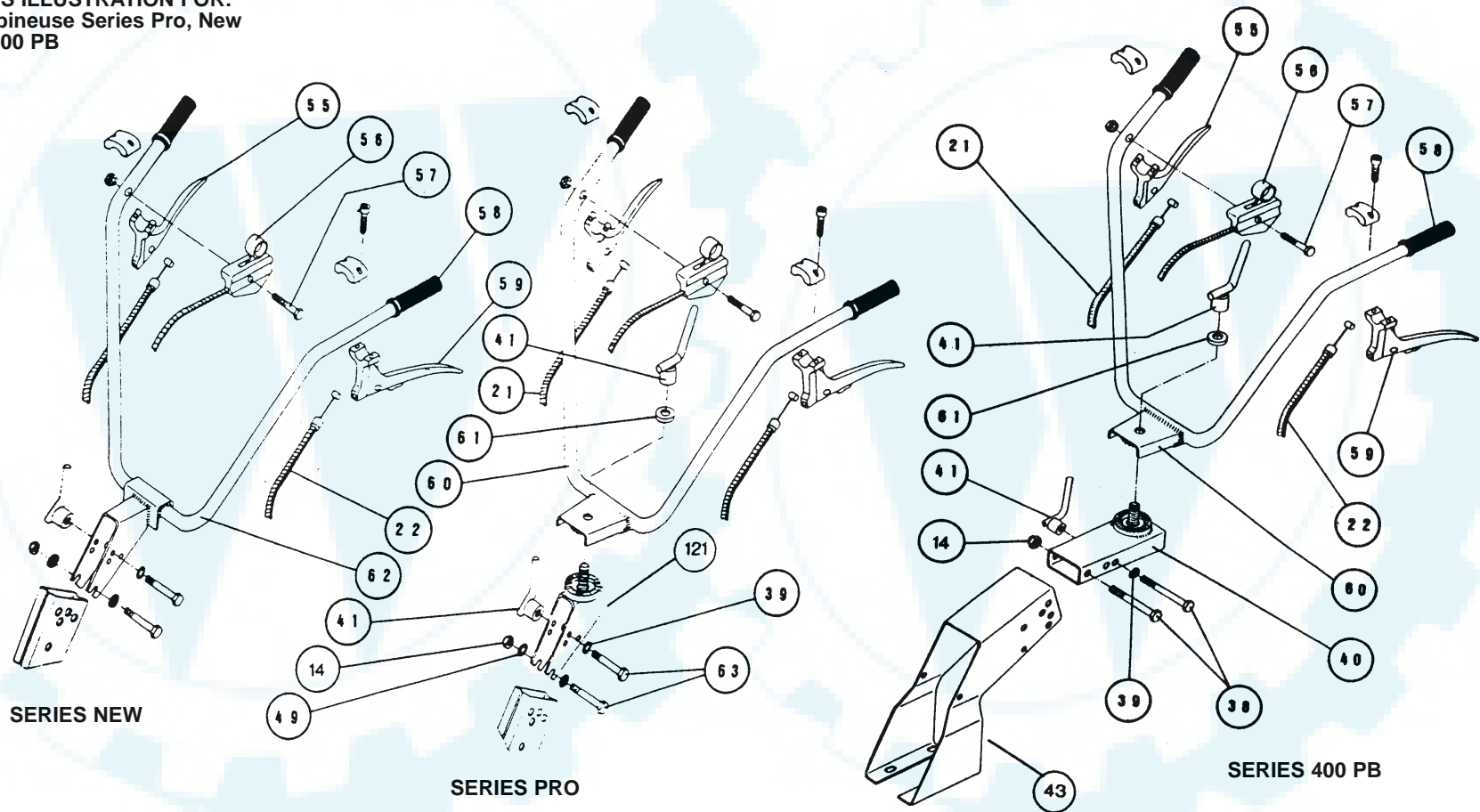


PARTS ILLUSTRATION FOR:
Motobineuse Series Pro, New
and 400 PB



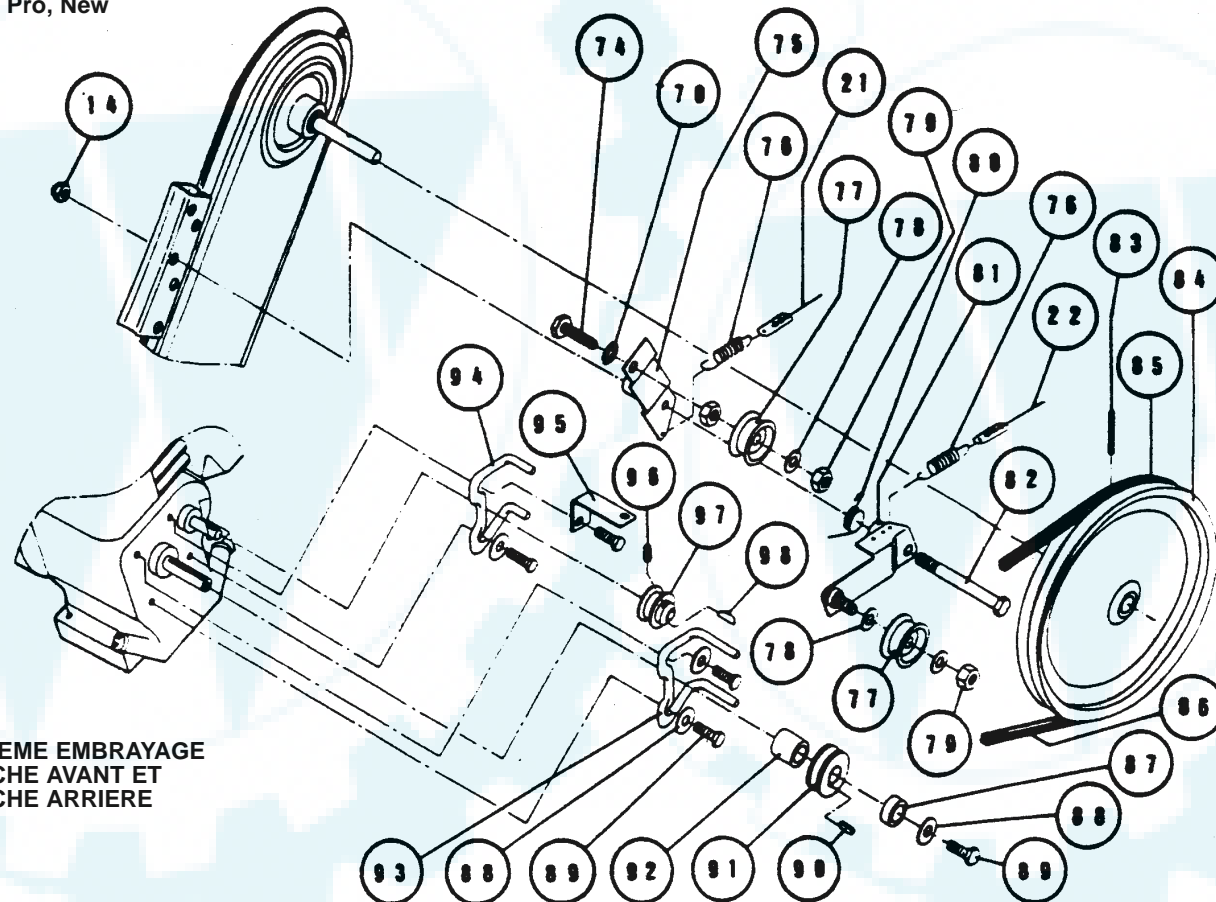


**PARTS ILLUSTRATION FOR:
Motobineuse Series Pro, New
and 400 PB**





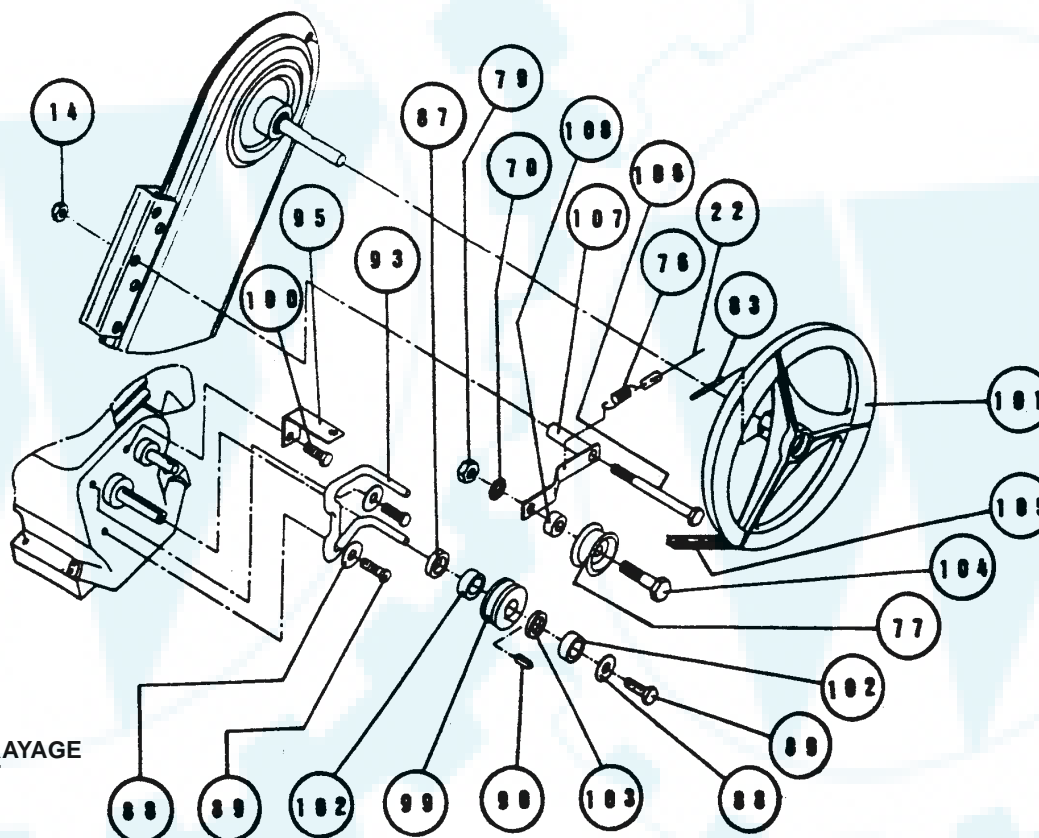
PARTS ILLUSTRATION FOR:
Motobineuse Series Pro, New
and 400 PB



SYSTEME EMBRAYAGE
MARCHE AVANT ET
MARCHE ARRIERE



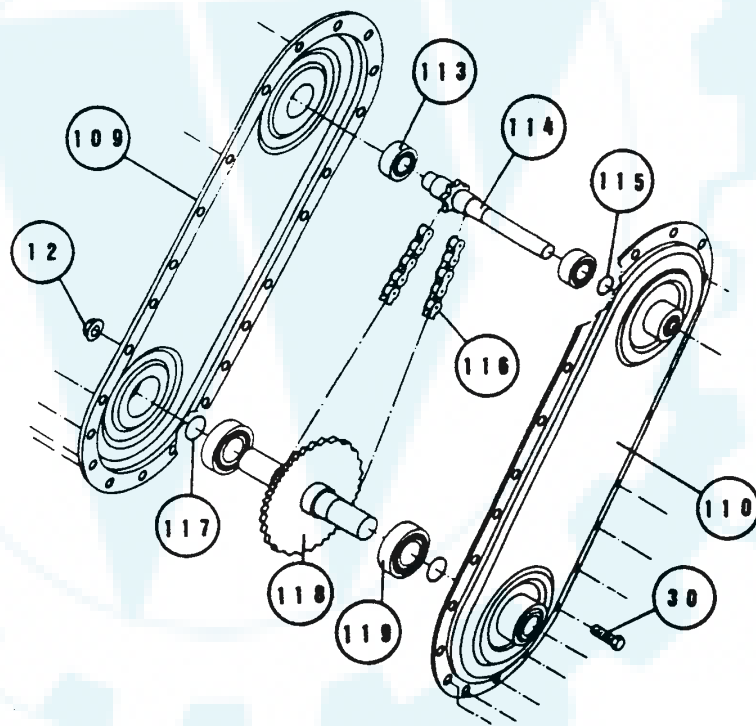
PARTS ILLUSTRATION FOR:
Motobineuse Series Pro, New
and 400 PB



SYSTEME EMBRAYAGE
MARCHÉ AVANT

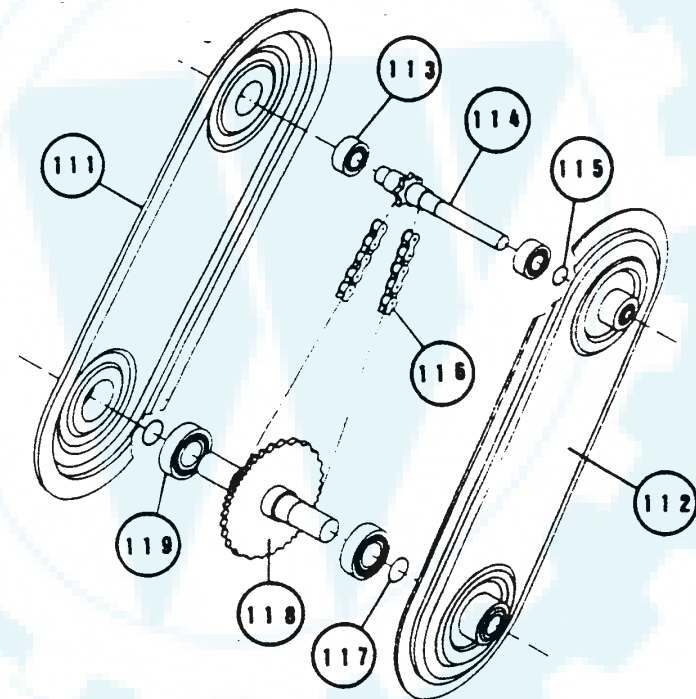


PARTS ILLUSTRATION FOR:
Motobineuse Series Pro, New
and 400 PB



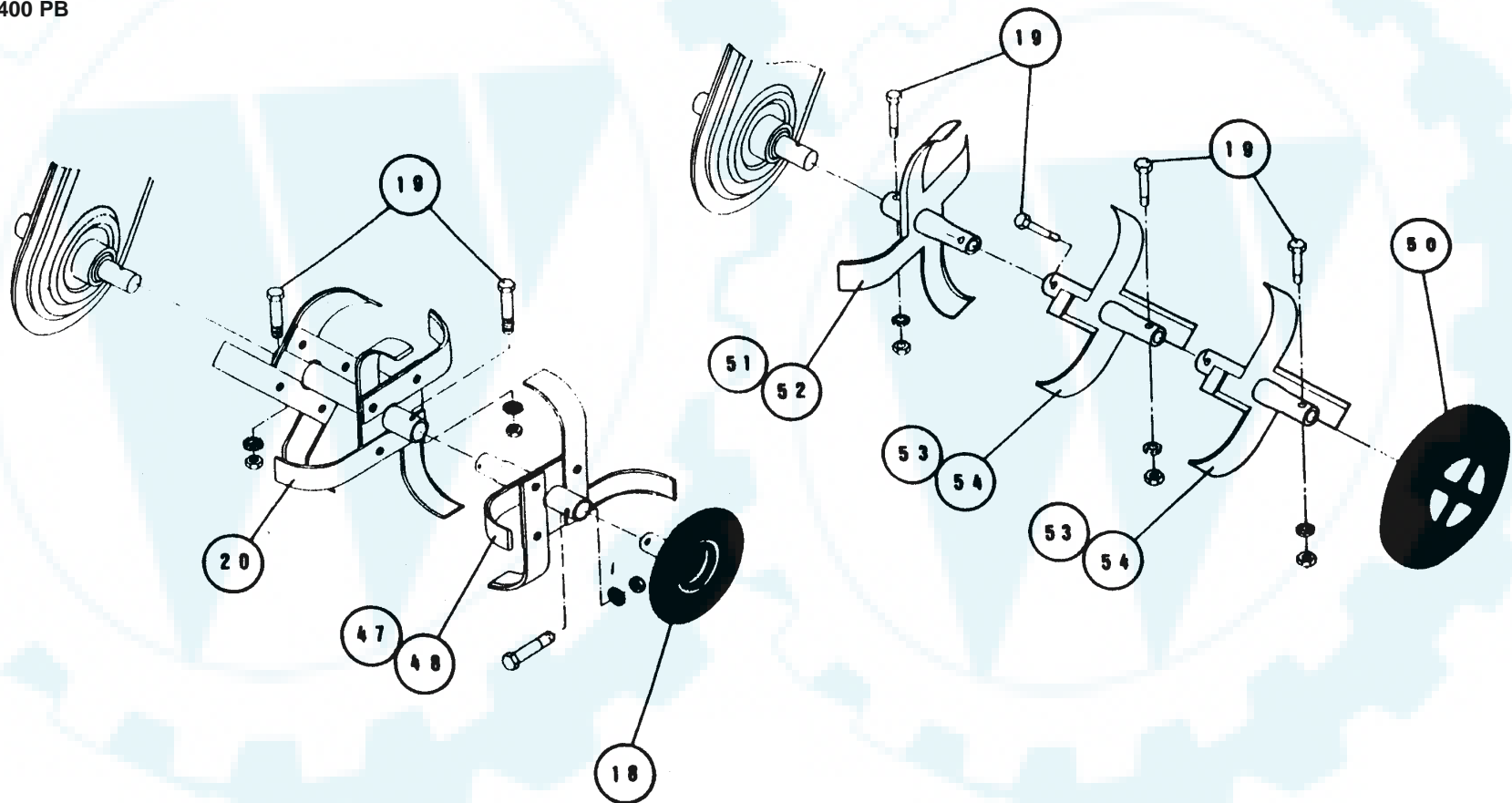
TRANSMISSION VERSION BOULONNE

TRANSMISSION VERSION SOUDE





PARTS ILLUSTRATION FOR:
Motobineuse Series Pro, New
and 400 PB





PARTS LIST FOR: Motobineuse Series Pro and Series New

Item	Part No	Description	Qty
1	92005020	Screw HM 8 x 40	
2	00100212	Motor Briggs & Stratton 3HP	
2	00100214	Motor Briggs & Stratton 5HP	
2	00100216	Motor Briggs & Stratton 5HP IC	
2	00100244	Motor Briggs & Stratton 5HP IC D Elect	
2	00100902	Motor Kawasaki 3HP	
2	00100903	Motor Kawasaki 5HP	
3	92005018	Screw HM 8 x 35	
4	90800019	Screw HM 8 x 50	
5	92100046	Support Wheel, Front	
6	90800075	Wheel	
7	90105054	Nut Locking HM 14	
8	90105510	Nut Wing M8	
9	90100044	Nut Locking M8	
10	92100089	Spacer, Wheel Front	
11	90105055	Screw HM 14 x 80	
12	90805504	Nut Nyloc M8	
13	92005165	Protector, Blade Assembly	
14	90315001	Nut Locking M10	
15	90107007	Washer D.8 Wide	
16	92100110	Cover, Belt, White Plastic	
16	92100112	Cover, Belt, Yellow Plastic	
16	92100113	Cover, Belt, Black Plastic	
16	92100111	Cover, Belt, Red Plastic	
17	90100076	Screw Wing M8 x 16	
18	00010900	Disk, Plant Protection (for riveted blade assembly)	
19	90100689	Hardware for Blade Assemblies	
20	00010920	Blade Assembly, Riveted, Yellow	
20	00010929	Blade Assembly, Riveted, Black	
20	00010922	Blade Assembly, Riveted, Red	
20	00010921	Blade Assembly, Riveted, Green	
21	92100075	Cable, Clutch FWD/REV	
22	92100075	Cable, Clutch FWD/REV	

Item	Part No	Description	Qty
23	92000016	Pin Shaft	
24	92005109	Prop, Non-adjustable	
25	90800019	Screw HM 8 x 50	
26	92005158	Rod, Support, Pulley Cover	
27	92005164	Spacer, Connecting Bar	
28	92005141	Tab, Sheath Stop	
29	90107000	Washer Star D.8	
30	90105059	Screw HM 8 x 16	
31	92005122	Chassis, Welded	
32	92005101	Platform, Welded	
33	92005142	Spacer, Support Link Mechanism	
34	92005100	Platform, Bolted	
35	92005182	Fork-end, Rear GB	
36	92005188	Spacer, Chassis L 16	
37	92005187	Spacer, Bracket L 33	
38	90105061	Screw HM 10 x 90	
39	90107003	Washer Star D.10	
40	92005107	Bar Connecting	
41	92100036	Lever Locking, Handlebar	
42	92005190	Prop, Non-Adjustable (for 400 series)	
43	92005106	Bracket	
44	90105063	Screw HM 8 x 90	
45	92005129	Fork-beam, RH (for 400 Series)	
46	92005128	Fork-beam, LH (for 400 Series)	
47	00010927	Blade Assembly, Additional Riveted, RH, Yellow	
47	00010958	Blade Assembly, Additional Riveted, RH, Black	
47	00010925	Blade Assembly, Additional Riveted, RH, Red	
47	00010923	Blade Assembly, Additional Riveted, RH, Green	
48	00010928	Blade Assembly, Additional Riveted, LH, Yellow	

Item	Part No	Description	Qty
48	00010957	Blade Assembly, Additional Riveted, LH, Black	
48	00010926	Blade Assembly, Additional Riveted, LH, Red	
48	00010924	Blade Assembly, Additional Riveted, LH, Green	
49	90807502	Washer D.10	
50	00010907	Disk, Plant protection (for welded blade assembly)	
51	92000010	Blade Assembly, Welded Platform End, RH	
52	92000011	Blade Assembly, Welded Platform End, LH	
53	00010938	Blade Assembly, Extension Welded, RH	
54	00010930	Blade Assembly, Extension Welded, LH	
55	90100060	Lever, Clutch REV	
56	92100114	Control Accelerator with Cable	
57	92005166	Bolt HM 6 x 45	
58	90100061	Handle, Rubber	
59	9010063	Lever, Clutch FWD	
60	92100041	Handlebar (Pro or 400 Series)	
61	90807502	Washer D.10	
62	92005110	Handlebar, New Version	
63	92005155	Screw HM 10 x 55	
64	92005178	Fork-end, Rear, for Rear Wheel	
65	92005115	Support, Adjustable Prop	
66	92005189	Prop Adjustable	
67	90807505	Washer Starlock D.14	
68	92005139	Spring, Return, Rear Wheel	
69	92005136	Support, Rear Wheel	
70	90107005	Washer Star D.12	
71	MX524	Plug Wheel Plastic	
72	90800015	Washer D.14	

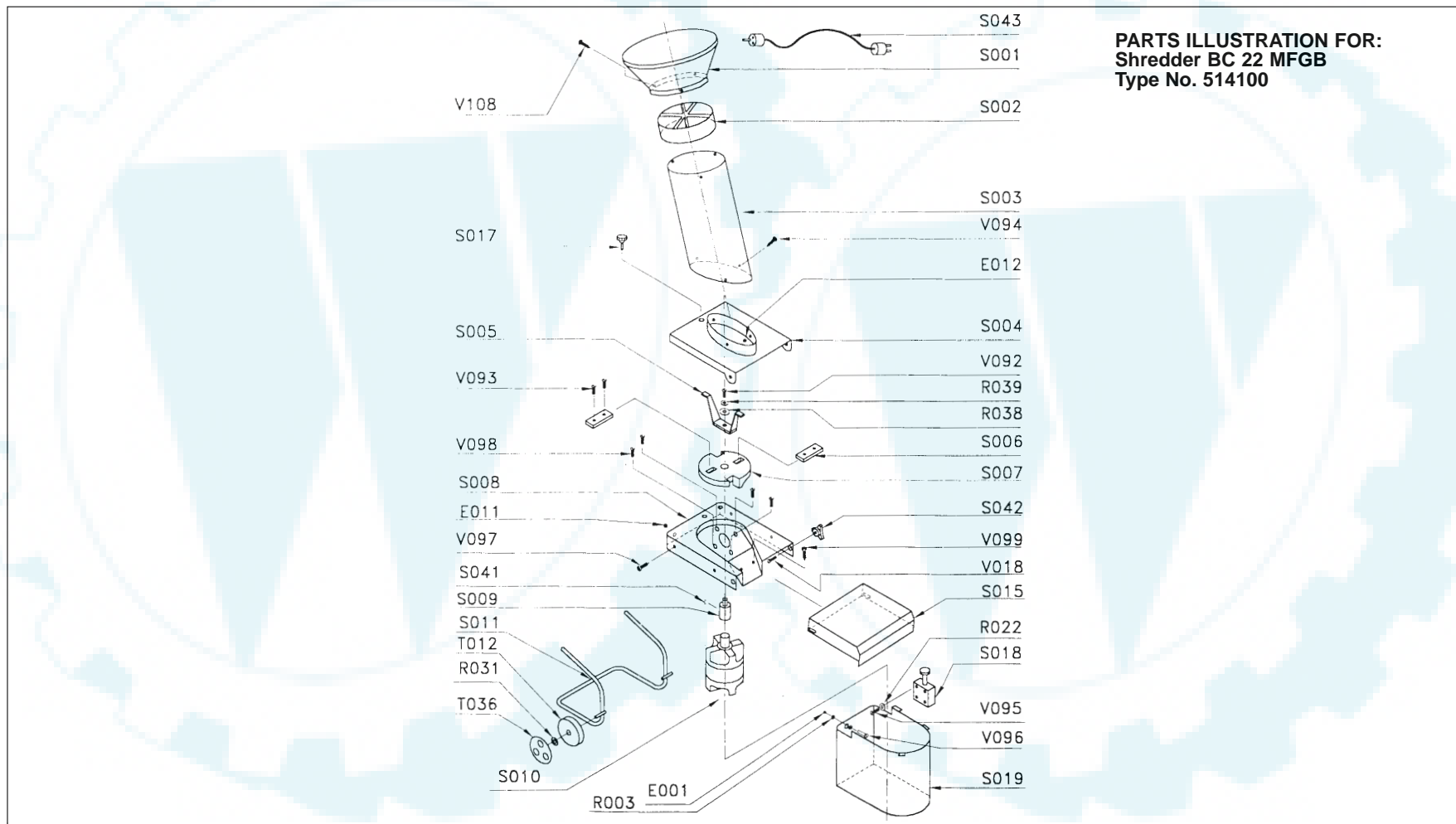
www.ersatzteil-service.de

www.ersatzteilplan.de



POWERED SHREDDERS

Ihr Ersatzteilspezialist im Internet



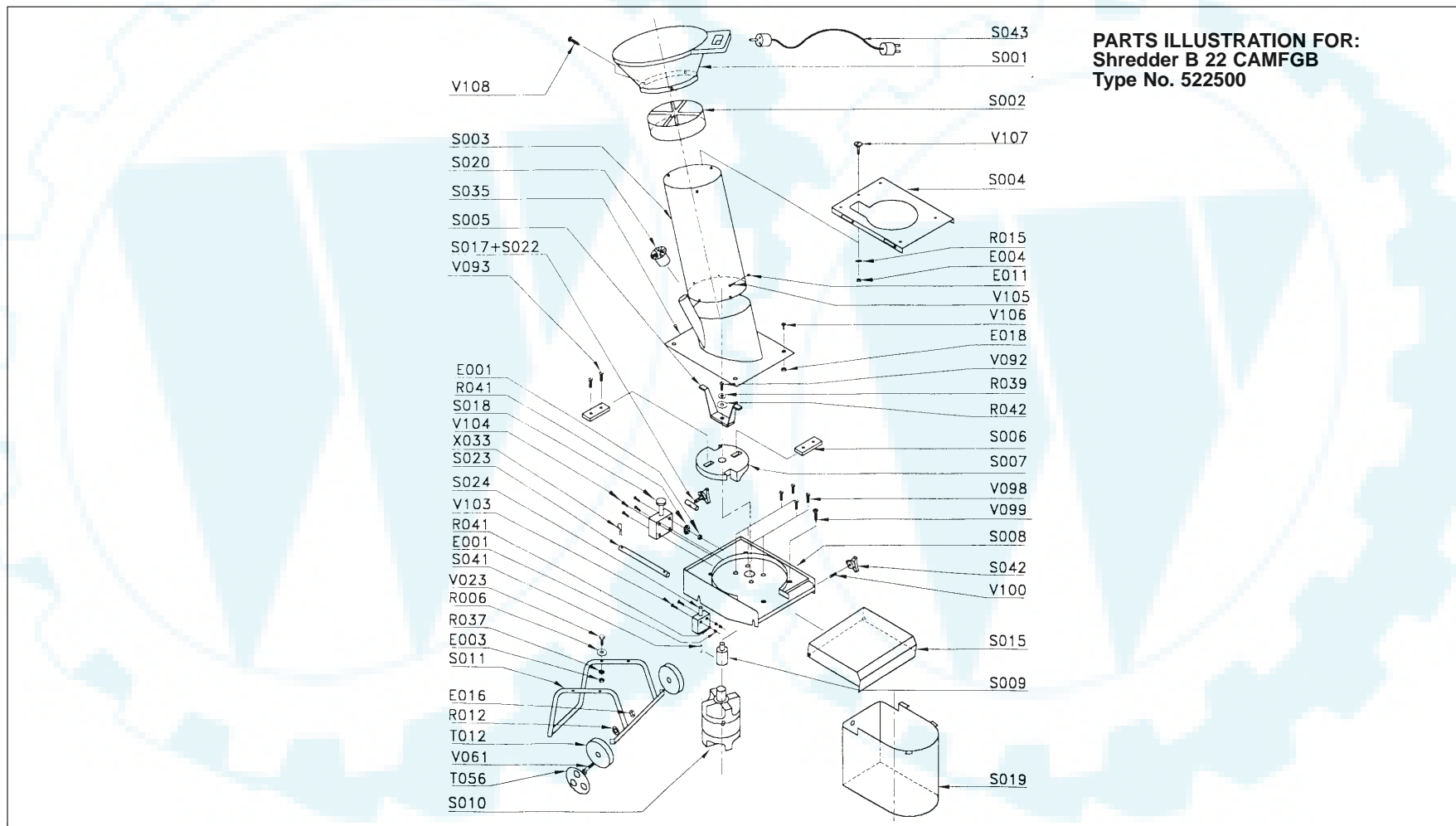


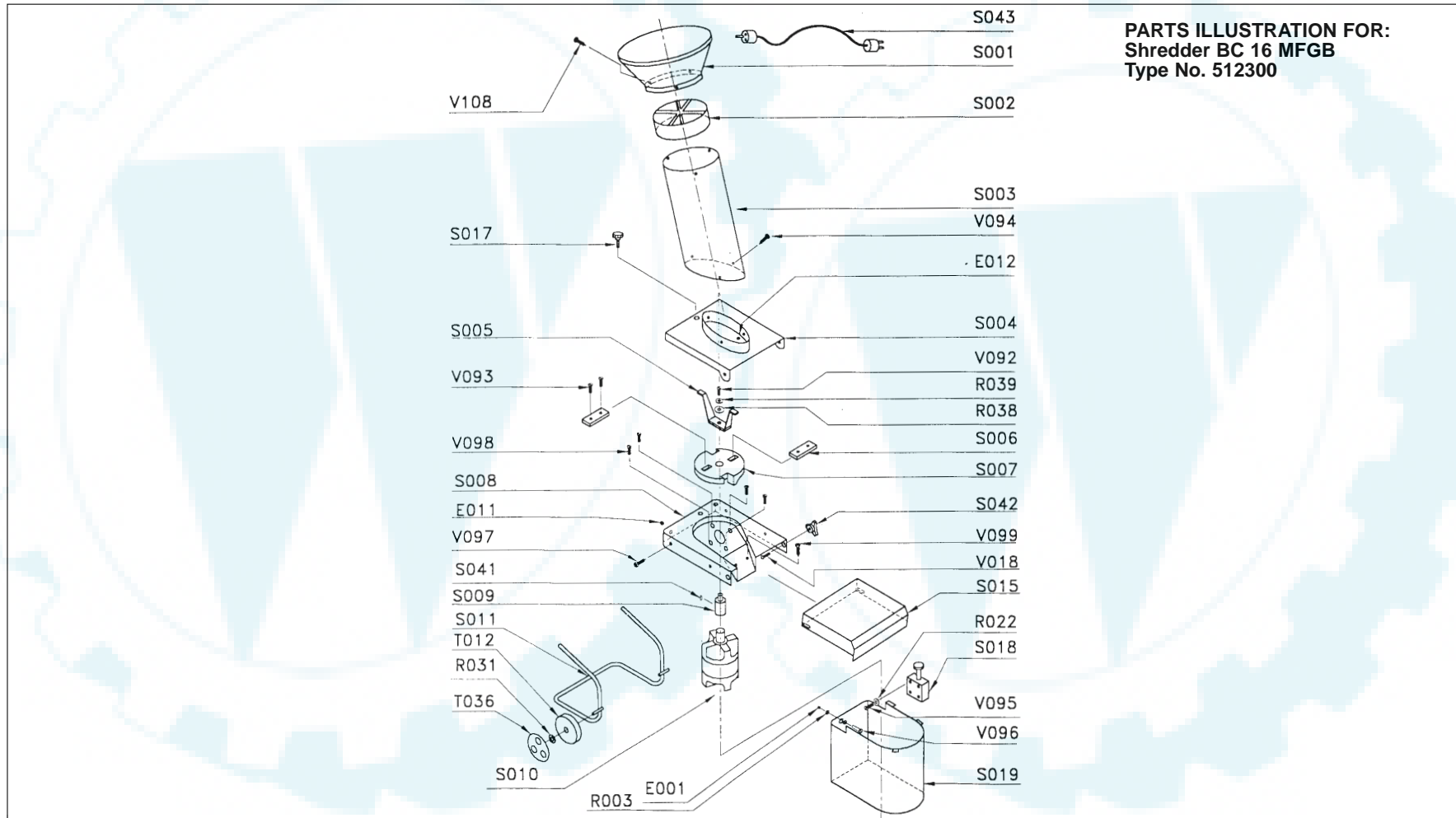
PARTS LIST FOR:
Shredder BC 22 MFGB – Type No. 514100

Item	Part No	Description	Qty
E001	90105514	Nut, HM 4 ZN	
E011	97047076	Nut, Locking, M4 ZN	
E012	90892078	Nut, Locking, M5 ZN	
R003	97014748	Washer, D.4 ZN	
R022	97042019	Washer, D.4 x16	
R031	90807512	Washer, Starlock D.12	
R038	062300	Washer, D.10	
R039	062800	Washer, D.10 Grower	
S001	001000	Plastic Feed Hopper	
S002	002000	Feeder	
S003	002701	Tube	
S004	004104	Cover	
S005	045601	Blade	
S006	043001	Sharpened Blade	
S007	042101	Rotor	
S008	014104	Shredding Part	
S009	047400	Spacer	
S010	050300	Motor	
S011	015003	Foot	
S015	017202	Ejecting Nozzle	
S017	068800	Plastic Button	
S018	051300	Switch	
S019	026000	Carter	
S041	048000	Key Shaft	
S042	90805500	Nut Trio M6	
S043	128500	Cable Assembly	
T012	90892404	Wheel	
T036	90892360	Hub Cap	
T062	97046008	Bearing	
T155	90100670	Cable Clips	
V018	90105001	Screw, HM 6 x 25 ZN	
V092	063400	Screw, HM 10 x 25 ZN	
V093	067101	Screw, 8 x 12 ZN	
V094	063901	Screw, HM 5 x 10 ZN	
V095	91350900	Screw, 4,2 x 15,9	

Item	Part No	Description	Qty
V096	066000	Screw, 4 x 16 ZN	
V097	065200	Screw, 4,8 x 19 ZN	
V098	067100	Screw, 8 x 16 ZN	
V099	066300	Screw, 4,2 x 15,9	
V108	90690140	Screw	

Item	Part No	Description	Qty
------	---------	-------------	-----





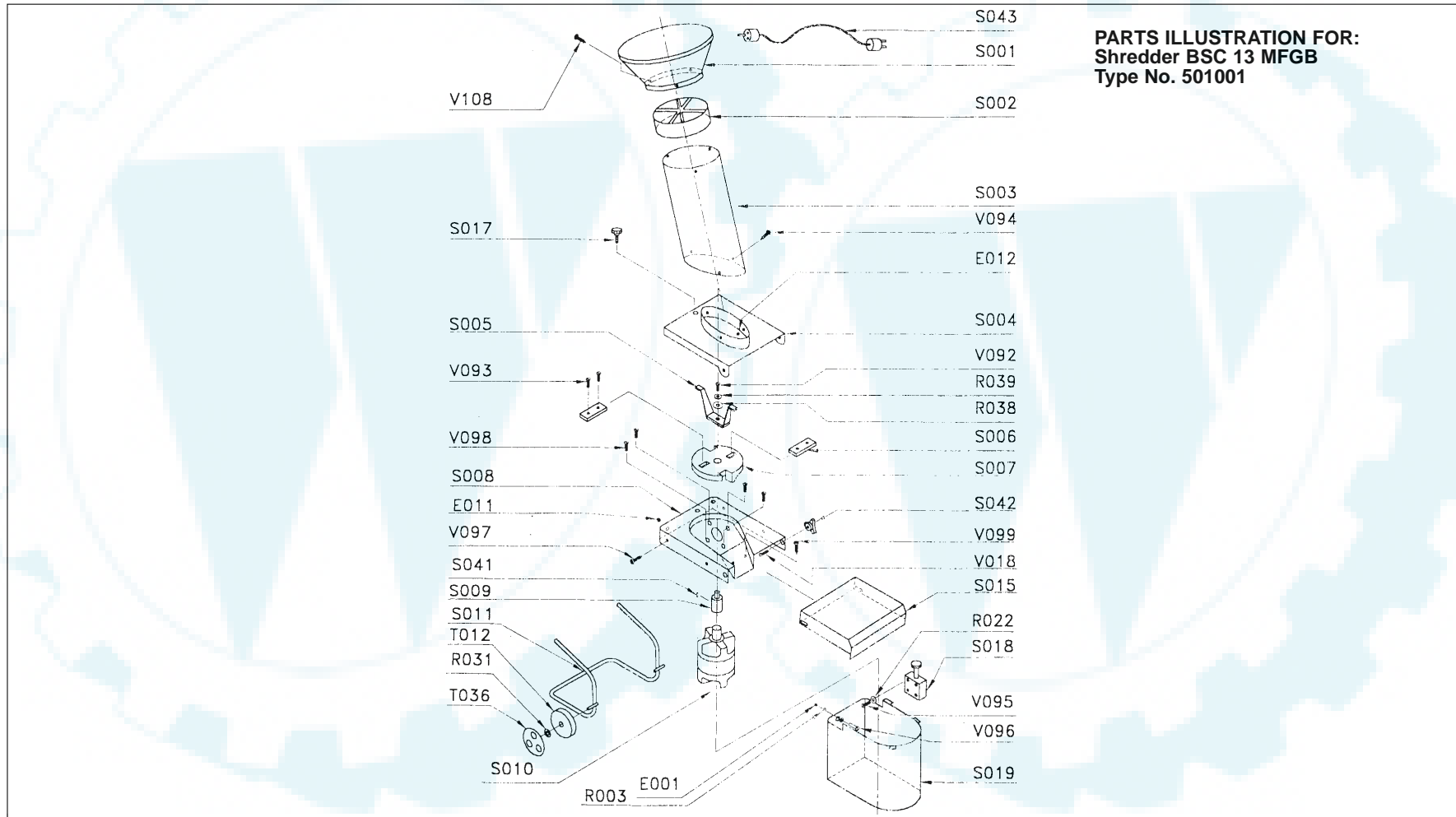


PARTS LIST FOR:
Shredder BC 16 MFGB – Type No. 512300

Item	Part No	Description	Qty
E001	90105514	Nut, HM 4 ZN	
E011	97047076	Nut, Locking, M4 ZN	
E012	90892078	Nut, Locking, M5 ZN	
R003	97014748	Washer, D.4 ZN	
R022	97042019	Washer, D.4 x 16	
R031	90807512	Washer, Starlock D.12	
R038	062300	Washer, D.10	
R039	062800	Washer, D.10 Grower	
S001	001000	Plastic Feed Hopper	
S002	002000	Feeder	
S003	002701	Tube	
S004	004104	Cover	
S005	045601	Blade	
S006	043001	Sharpened Blade	
S007	042101	Rotor	
S008	014104	Shredding Part	
S009	047400	Spacer	
S010	050100	Motor	
S011	015003	Foot	
S015	017202	Ejecting Nozzle	
S017	068800	Plastic Button	
S018	051100	Switch	
S019	026000	Carter	
S041	048000	Key Shaft	
S042	90805500	Nut Trio M6	
S043	128500	Cable Assembly	
T012	90892404	Wheel	
T036	90892360	Hub Cap	
T062	97046008	Bearing	
T155	90100670	Cable Clips	
V018	90105001	Screw, HM 6 x 25 ZN	
V092	063400	Screw, HM 10 x 25 ZN	
V093	067101	Screw, 8 x 12 ZN	
V094	063901	Screw, HM 5 x 10 ZN	
V095	91350900	Screw, 4,2 x 15,9	

Item	Part No	Description	Qty
V096	066000	Screw, 4 x 16 ZN	
V097	065200	Screw, 4,8 x 19 ZN	
V098	067100	Screw, 8 x 16 ZN	
V099	066300	Screw, 4,2 x 15,9	
V108	90690140	Screw	

Item	Part No	Description	Qty
------	---------	-------------	-----





**PARTS LIST FOR:
Shredder BSC 13 MFGB**

Item	Part No	Description	Qty
E001	90105514	Nut, HM 4 ZN	
E011	97047076	Nut, Locking, M4 ZN	
E012	90892078	Nut, Locking, M5 ZN	
R003	97014748	Washer, D.4 ZN	
R022	97042019	Washer, D.4 x16	
R031	90807512	Washer, Starlock D.12	
R038	062300	Washer, D.10	
R039	062800	Washer, D.10 Grower	
S001	001001	Plastic Feed Hopper	
S003	022402	Tube	
S004	004104	Cover	
S005	045601	Blade	
S006	043001	Sharpened Blade	
S007	042101	Rotor	
S008	014104	Shredding Part	
S009	047400	Spacer	
S010	050600	Motor	
S011	014505	Foot	
S015	017202	Ejecting Nozzle	
S017	068800	Plastic Button	
S018	051000	Switch	
S019	026000	Carter	
S041	048000	Key Shaft	
S042	90805500	Nut Trio M6	
S043	128500	Cable Assembly	
T012	90892359	Wheel	
T036	90892360	Hub Cap	
T062	97046008	Bearing	
T155	90100670	Cable Clips	
V018	90105001	Screw, HM 6 x 25 ZN	
V092	063400	Screw, HM 10 x 25 ZN	
V093	067101	Screw, 8 x 12 ZN	
V094	063901	Screw, HM 5 x 10 ZN	
V095	91350900	Screw, 4,2 x 15,9	
V096	066000	Screw, 4 x 16 ZN	

Item	Part No	Description	Qty
V097	065200	Screw, 4,8 x 19 ZN	
V098	067100	Screw, 8 x 16 ZN	
V099	066300	Screw, 4,2 x 15,9	
V108	90690140	Screw	

Item	Part No	Description	Qty
------	---------	-------------	-----

www.ersatzteil-service.de

www.ersatzteilplan.de

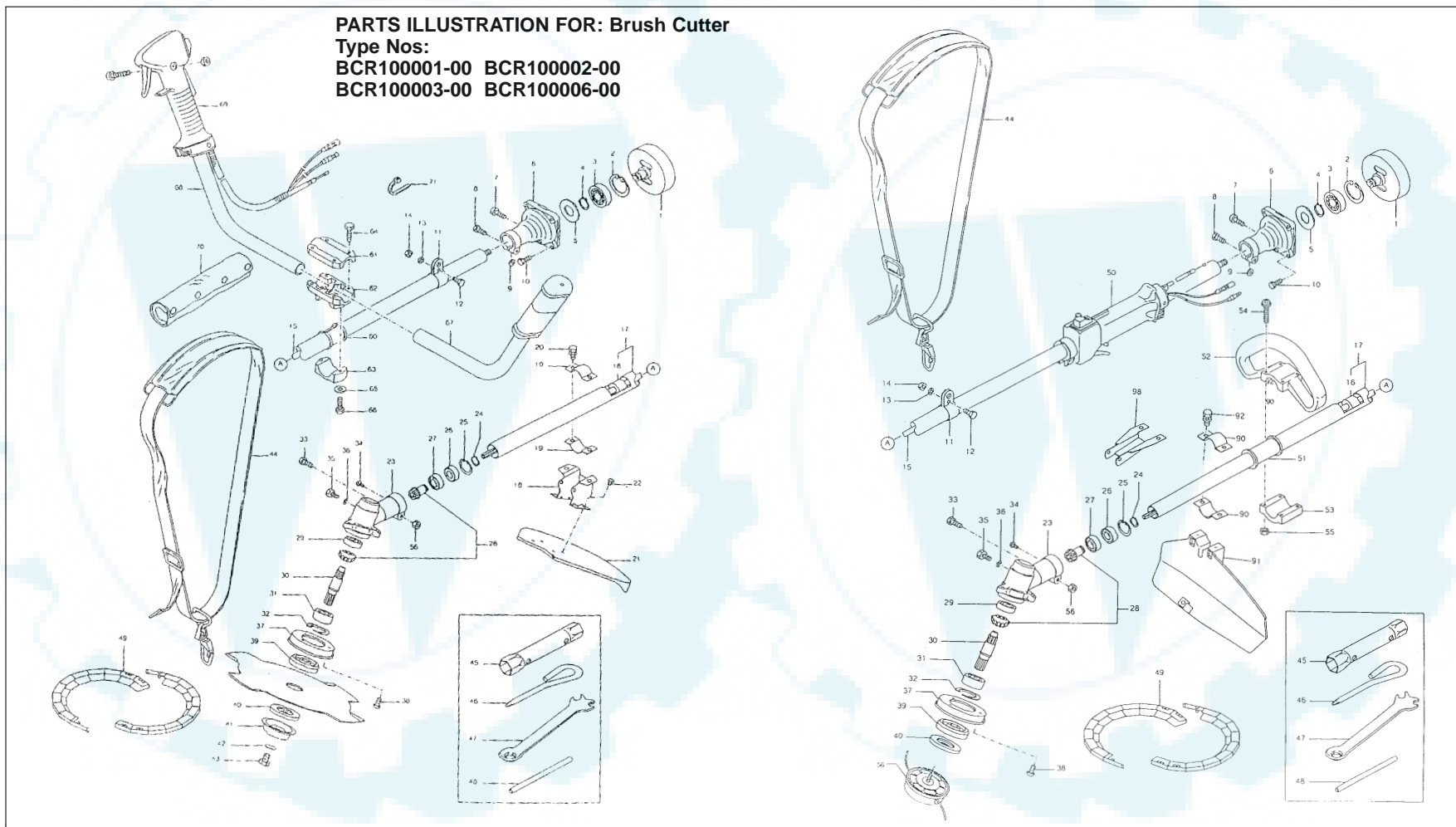


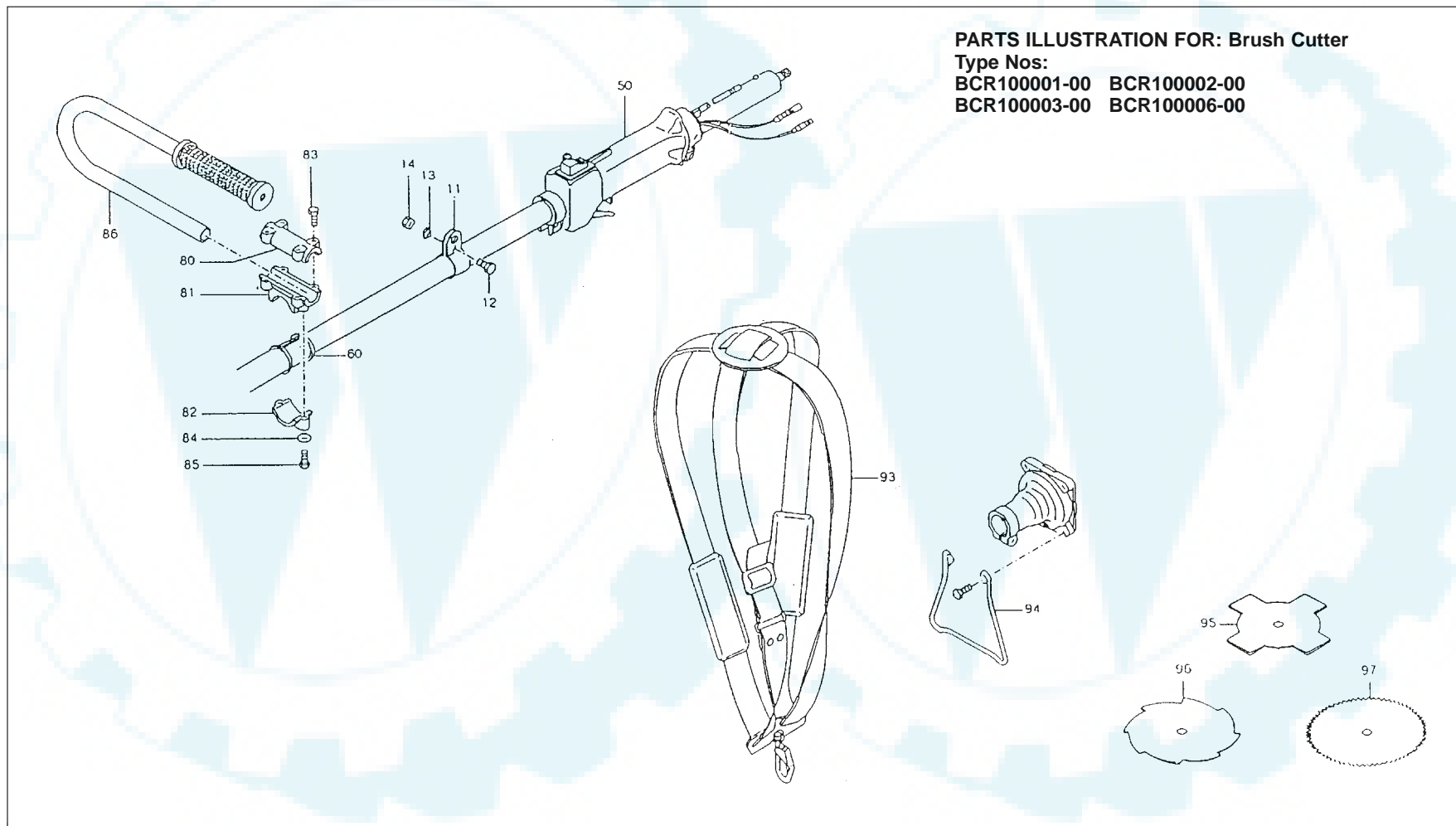
BRUSH CUTTERS & **HEDGE TRIMMERS**

Ihr Ersatzteilspezialist im Internet



PARTS ILLUSTRATION FOR: Brush Cutter
Type Nos:
BCR100001-00 BCR100002-00
BCR100003-00 BCR100006-00







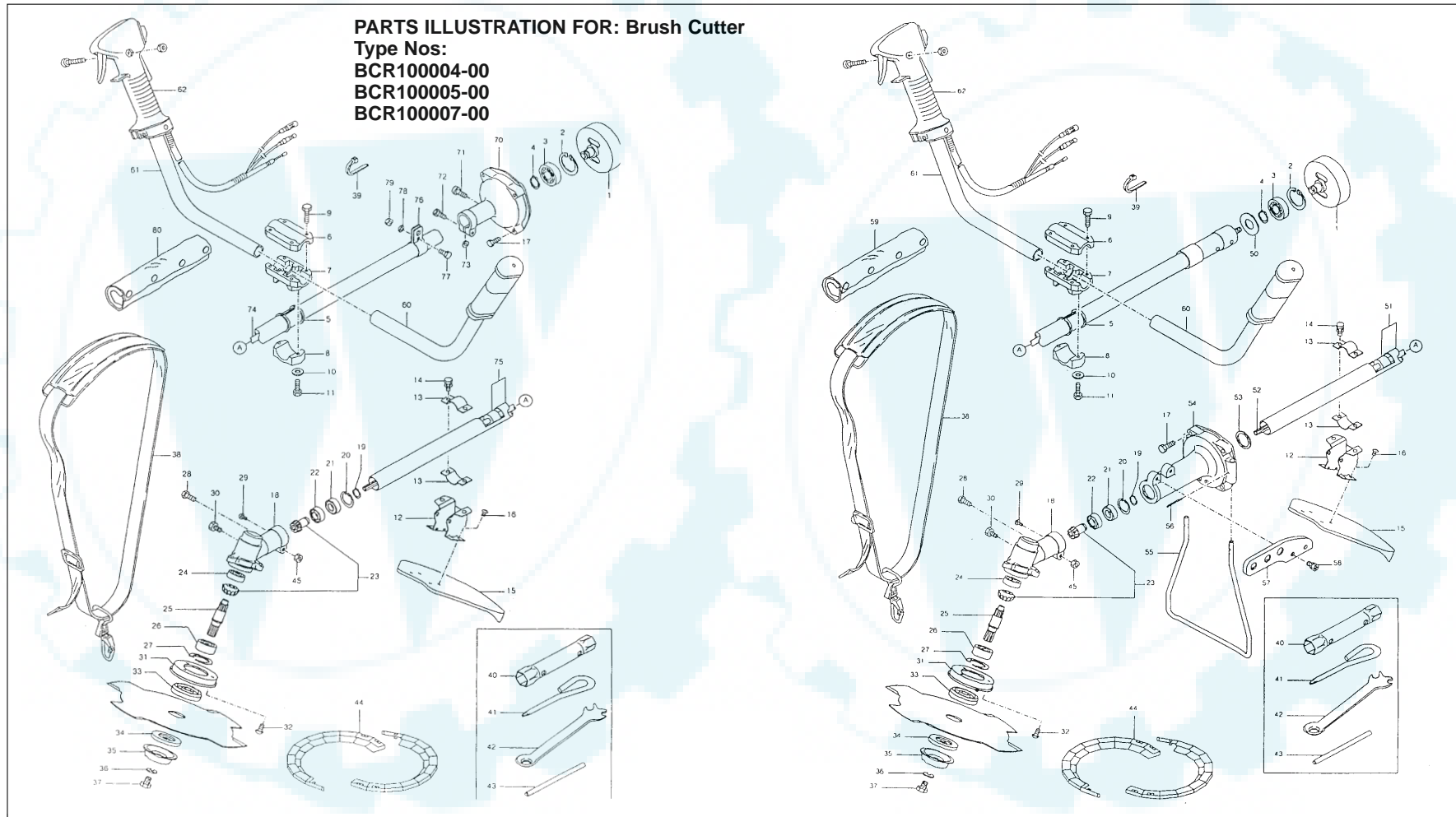
**PARTS LIST FOR:
Brush Cutter – Type Nos:**

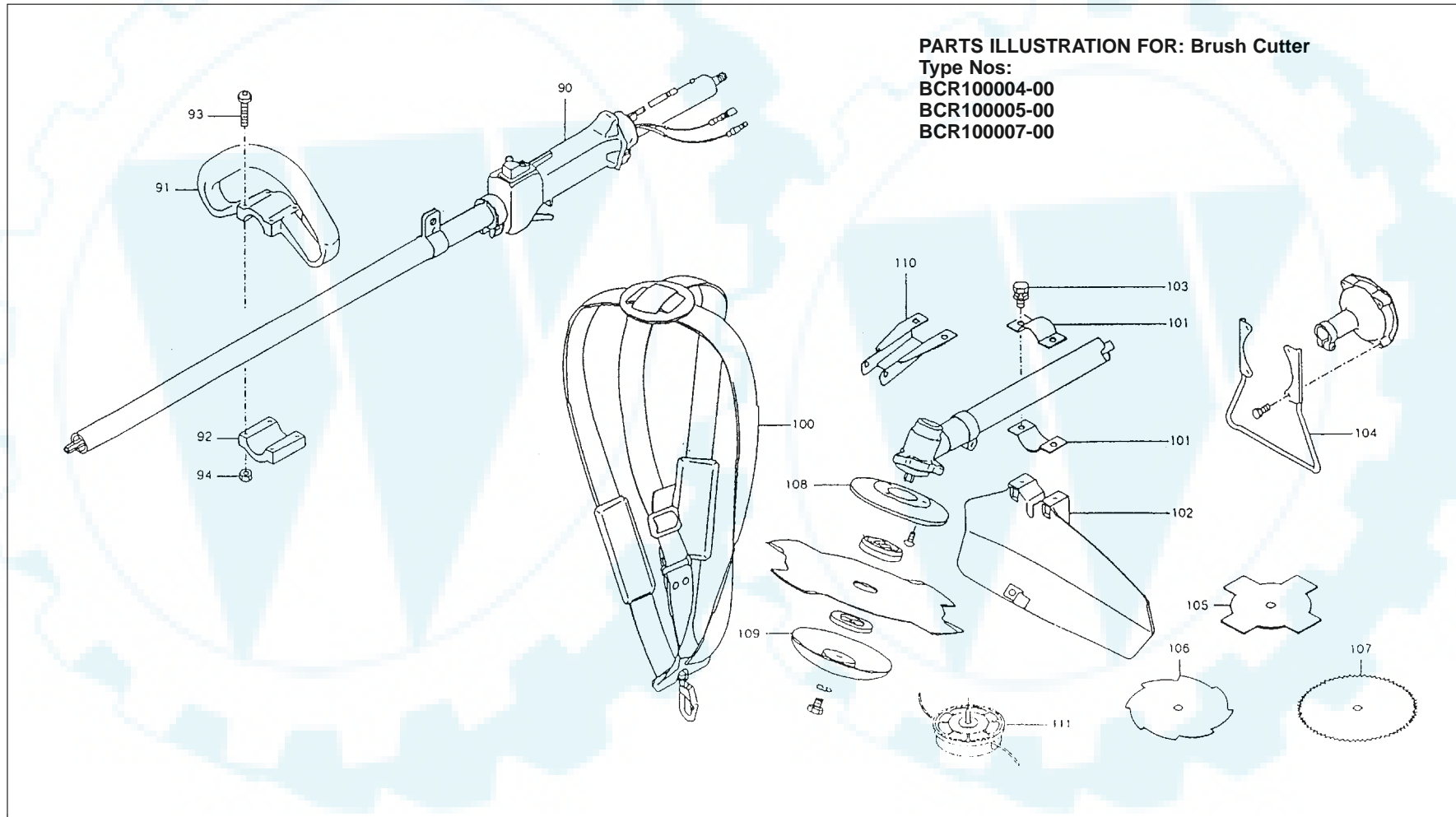
BCR100001-00 BCR100002-00
BCR100003-00 BCR100006-00

Item	Part Nos	Description	Qty
1-4	1221 – 1004	Clutch Drum Assembly	1
1	1222 – 1002	Clutch Drum	1
2	0203 – 3500	Retaining Ring	1
3	0307 – 6202	Ball Bearing (6202VV)	1
4	0202 – 1500	Retaining Ring	1
5	1111 – 1009	Washer	1
6	1387 – 1003	Clutch Case	1
7	0021 – 0510	Screw	1
8	0035 – 0625	Bolt	1
9	1118 – 1003	Packing	1
10	0035 – 0625	Bolt	4
11	1347 – 1004	Hanger	1
12	0001 – 0612	Screw	1
13	0151 – 0600	Washer	1
14	0101 – 0600	Nut	1
15	1252 – 1011	Drive Shaft	1
16	1261 – 1002	Metal Anti	5
17	1391 – 1005	Drive Shaft Housing Assembly	1
18-20	1341 – 1008	Clamp Assembly (Inc. No. 16)	1
18	1341 – 1006	Clamp Stay	1
19	1343 – 1004	Clamp	2
20	0035 – 0620	Bolt	2
21	1316 – 1019R	Safety Cover C.Q. Type	1
22	0036 – 0510	Bolt	4
23-43	1206 – 1047	Gear Case Assembly	1
23	1382 – 1030	Gear Case	1
24	0202 – 0900	Retaining Ring	1
25	0203 – 2400	Retaining Ring	1
26	0306 – 0609	Ball Bearing (609ZZ)	1
27	0306 – 0609	Ball Bearing (609ZZ)	1
28	1206 – 1041	Gear Set	1
29	0301 – 0627	Ball Bearing (627)	1
30	1252 – 1014	Spindle	1
31	0305 – 6001	Ball Bearing (6001DD)	1
32	0203 – 2800	Retaining Ring	1

Item	Part No	Description	Qty
33	0035 – 0635	Bolt	1
34	0021 – 0510	Screw	1
35	1102 – 1021	Bolt	1
36	0151 – 0600	Spring Washer	1
37	1352 – 1038	Cover	1
38	0021 – 0510	Screw	3
39	0021 – 1029	Holder, Upper	1
40	1472 – 1008	Holder, Lower	1
41	1317 – 1009	Stabilizer	1
42	0154 – 0800	Conical Spring washer	1
43	1102 – 1009	Bolt (L) Spring Washer	1
44	1666 – 1002	Shoulder band	1
45	K92110 – 2093	Socket Spanner	1
46	K92107 – 2057	Screw Driver	1
47	1991 – 1004	Spanner	1
48	1991 – 1003	Lock Bar	1
49	1491 – 1006	Blade Cover	2
50	1611 – 1069	Throttle Lever	1
51-55	1601 – 1036	Loop Handle Assembly	1
51	1552 – 1007	Anti Vibration Rubber	1
52	1602 – 1020	Loop Handle (A)	1
53	1602 – 1021	Loop Handle (B)	1
54	0036 – 0535	Bolt	4
55	0101 – 0500	Nut	4
56	1461 – 1001	Rotary Cutter	1
	0103 – 0600	Nut	1
		OPTIONAL	
90	1342 – 1019	Clamp	2
91	1317 – 1055	Safety Cover S.T. Type	1
92	0036 – 0625	Bolt	2
93	1666 – 1006	Shoulder Band	1
94	1317 – 1012	Stand	1
95	1431 – 1040	4 Teethblade (230 x 1.4)	1

Item	Part No	Description	Qty
96	1431 – 1041	8 Teethblade (230 x 1.4)	1
97	1431 – 1050	80 Teethblade (230 x 1.4)	1
98	1657 – 1021	Clamp Stay	1







PARTS LIST FOR: Brush Cutter – Type Nos:

BCR100004-00 BCR100005-00
BCR100007-00

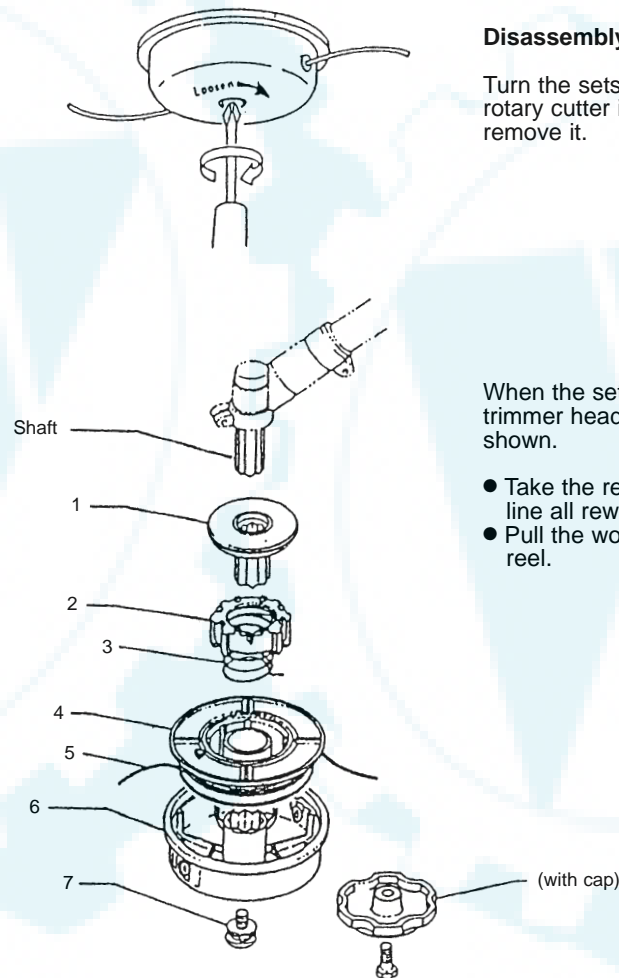
Item	Part No	Description	Qty
1-4	1221 – 1006	Clutch Drum Assembly	1
1	1222 – 1003	Clutch Drum	1
2	0203 – 3500	Retaining Ring	1
3	0307 – 6202	Ball Bearing (6202VV)	1
4	0202 – 1500	Retaining Ring	1
5	1552 – 1004	Anti Vibration Rubber	1
6-11	1371 – 1039	Handle Joint Assembly	1
6	1372 – 1015	Handle Joint A	1
7	1372 – 1016	Handle Joint B	1
8	1372 – 1017	Handle Joint C	1
9	0035 – 0625	Bolt	4
10	0151 – 0600	Spring Washer	2
11	1102 – 1012	Bolt	2
12-14	1341 – 1009	Clamp Assembly	1
12	1341 – 1007	Clamp Stay	1
13	1343 – 1004	Clamp	2
14	0035 – 0620	Bolt	2
16	0036 – 0510	Bolt	4
17	0035 – 0630	Bolt	4
18-37	1206 – 1048	Gear Case Assembly	1
18	1382 – 1031	Gear Case	1
19	0202 – 1000	Retaining Ring	1
20	0203 – 2600	Retaining Ring	1
21	0303 – 6000	Ball Bearing (6000ZZ)	1
22	0303 – 6000	Ball Bearing (6000ZZ)	1
23	1206 – 1044	Gear Set	1
24	0301 – 0628	Ball Bearing (629)	1
25	1252 – 1053	Spindle	1
26	0305 – 6201	Ball Bearing (6201DD)	1
27	0203 – 3200	Retaining Ring	1
28	0035 – 0640	Bolt	1
29	0021 – 0510	Screw	1
30	1102 – 1021	Bolt	1
31	1352 – 1006	Cover	1
32	0021 – 0510	Screw	1

Item	Part No	Description	Qty
33	1472 – 1030	Holder, Upper	1
34	1472 – 1010	Holder, Lower	1
35	1317 – 1009	Stabilizer	1
36	0154 – 0800	Conical Spring Washer	1
37	1102 – 1009	Bolt (L)	1
38	1666 – 1002	Shoulder Band	1
38	1644 – 1001	Cable Band	1
40	K92110 – 2093	Socket Spanner	1
41	K92107 – 2057	Screw Driver	1
42	1991 – 1004	Spanner	1
43	1991 – 1003	Lock Bar	1
44	1491 – 1006	Blade Cover	2
45	0103 – 0600	Nut	1
50	1111 – 1011	Washer	1
51	1391 – 1007	Drive Shaft Housing Assembly (NRB612NC) (1261 – 1001)	1
	1391 – 1017	Drive Shaft Housing Assembly (NRB621NC) (1261 – 1003)	1
52	1252 – 1013	Drive Shaft	1
53	1111 – 1010	Washer	1
54	1387 – 1005	Clutch Case	1
55	1317 – 1016	Stand	1
56	0211 – 2520	Split Pin	2
57	1347 – 1006	Hanger	1
58	0035 – 0615	Bolt	2
59	1668 – 1002	Waist Pad	1
60	1601 – 1075	Handle, Left (NRB6D) (NFB6D)	1
61	1602 – 1084	Handle, Right (NRB6D) (NFB6D)	1
62	1611 – 1070	Throttle Lever	1
70	1387 – 1004	Clutch Case	1
71	0021 – 0510	Screw	1
72	0035 – 0625	Bolt	1
73	1118 – 1004	Packing	1

Item	Part No	Description	Qty
74	1252 – 1012	Drive Shaft	1
75	1391 – 1004	Drive Shaft Housing Assembly (NFB6-NFP6) (Inc. 1261 – 1001)	1
	1391 – 1006	Drive Shaft Housing Assembly (NFB62) (Inc. 1261 – 1003)	1
76	1347 – 1005	Hanger	1
77	0001 – 0612	Screw	1
78	0151 – 0600	Spring Washer	1
79	0101 – 0600	Nut	1
80	1668 – 1001	Waist Pad	1
90	1611 – 1075	Throttle Lever	1
91-94	1601 – 1042	Loop Handle Assembly	1
91	1602 – 1020	Loop Handle (A)	1
92	1602 – 1021	Loop Handle (B)	1
93	0036 – 0535	Bolt	4
94	1010 – 0500	Nut	4
100	1666 – 1007	Shoulder Band	1
101	1342 – 1020	Clamp	2
102	1317 – 1055	Safety Cover	1
103	0036 – 0625	Bolt	2
104	1316 – 1008	Stand	1
105	1431 – 1042	4 Teeth Blade(255 x 1.4)	1
106	1431 – 1043	8 Teeth Blade (255 x 1.4)	1
107	1431 – 1043	80 Teeth Blade (255 x 1.4)	1
108	1352 – 1012	Cover	1
109	1317 – 1033	Stabilizer	1
110	1657 – 1021	Clamp Stay	1
111	1461 – 1001	Rotary Cutter	1



**PARTS ILLUSTRATION FOR:
Nylon Line Replacement on
Brush Cutters – all Types**



Disassembly:

Turn the setscrew on the bottom of the rotary cutter in "Loosen" direction and remove it.

When the setscrew is removed, the trimmer head can be taken apart as shown.

- Take the reel out of the case with nylon line all rewound.
- Pull the worn, old nylon line from the reel.



PARTS LIST FOR: Nylon Line Replacement for all Brush Cutters

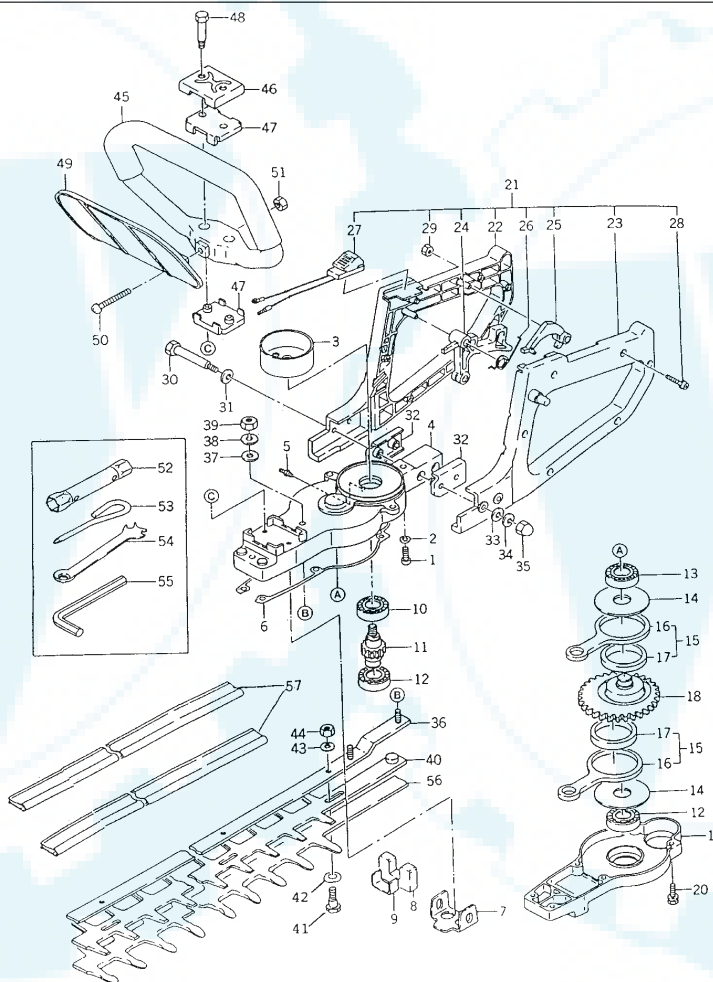
Item	Part No	Description	Qty
1	1463 - 1002	Retainer	1
2	1463 - 1004	Slider	1
3	1503 - 1017	Return Spring	1
4	1443 - 1003	Reel	1
5	MS1179	Nylon Line	1
6	1463 - 1001	Case	1
7	1102 - 1042	Setscrew	1
	RC - 260	Complete Assembly	1

Item	Part No	Description	Qty
------	---------	-------------	-----

Item	Part No	Description	Qty
------	---------	-------------	-----



PARTS ILLUSTRATION FOR:
Hedge Trimmer
Type no. HTR100001-00





PARTS LIST FOR:
Hedge Trimmer – Type No. HTR100001-00

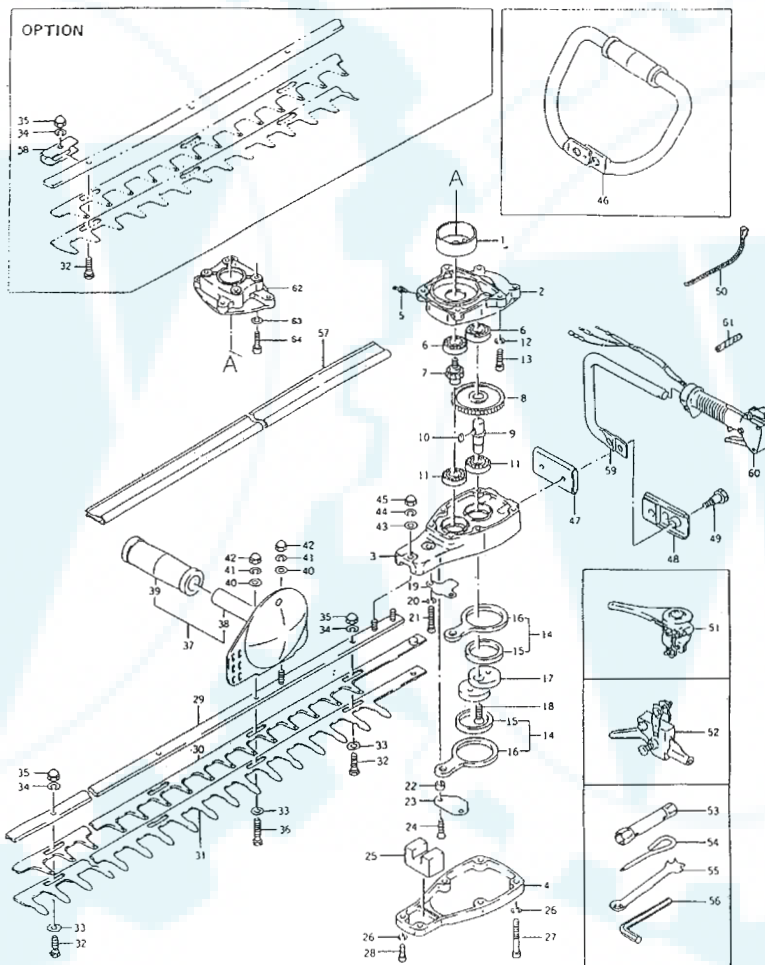
Item	Part No	Description	Qty
1	0015 – 0520	Socket Bolt	3
2	0151 – 0500	Spring Lock Washer	3
3	1222 – 1004	Clutch Drum	1
4	1382 – 1010	Housing, Upper	1
5	1103 – 1003	Grease Nipple	1
6	1153 – 1004	Sheet Packing	1
7	1475 – 1001	Guide Plate	1
8	1153 – 1003	Felt Packing	1
9	1475 – 1002	Guide Piece	1
10	0305 – 6001	Ball Bearing (6001DD)	1
11	1207 – 1015	Pinion Gear	1
12	0301 – 6001	Ball Bearing (6001)	2
13	0302 – 6001	Ball Bearing (6001Z)	1
14	1262 – 1007	Bearing Washer	2
15	1254 – 1001	Cam Rod Assembly	2
16	1255 – 1001	Connecting Rod	2
17	1263 – 1003	Needle Roller Bearing	2
18	1207 – 1016	Cam Gear	1
19	1382 – 1011	Housing, Lower	1
20	0035 – 0525	Bolt	6
21	1601 – 1016	Rear Handle,Assembly	1
22	1602 – 1011	Rear Handle (A)	1
23	1601 – 1017	Rear Handle (B)	1
24	1612 – 1005	Accelerator Lever	1
25	1612 – 1006	Safety Lever	1
26	1503 – 1008	Return Spring	1
27	1711 – 1006	Switch, Stop	1
28	0021 – 0420	Screw	6
29	1010 – 0400	Nut	6
30	1101 – 1011	Rear Handle Bolt	2
31	0152 – 0800	Washer	2
32	1551 – 1001	Rear Anti Vibration Rubber	2
33	0152 – 0600	Washer	2
34	0151 – 0600	Spring Lock Washer	2
35	0106 – 0600	Cap Nut	2

Item	Part No	Description	Qty
36	1474 – 1002	Blade Guide	1
37	0152 – 0600	Washer	2
38	0151 – 0600	Spring Lock Washer	2
39	0101 – 0600	Nut	2
40	1442 – 1002	Blade, Upper	1
41	1101 – 1009	Blade Bolt	5
42	1111 – 1012	Blade Washer	5
43	0151 – 0600	Spring Lock Washer	5
44	0101 – 0600	Nut	5
45	1602 – 1010	Front Handle	1
46	1372 – 1006	Handle Joint	1
47	1552 – 1005	Front Anti Vibration Rubber	1
48	1101 – 1010	Front Handle Bolt	2
49	1317 – 1018	Safety Guard	1
50	0021 – 0540	Screw	1
51	0101 – 0-500	Nut	1
52	K92110 – 2093	Socket Wrench	1
53	K92107 – 2057	Screwdriver	1
54	1991 – 1004	Spanner	1
55	1991 – 1005	Hexagon Wrench Key	1
56	1442 – 1012	Blade, Lower	1
57	1491 – 1009	Blade Cover	2

Item	Part No	Description	Qty
------	---------	-------------	-----



PARTS ILLUSTRATION FOR:
Hedge Trimmer
Type no. HTR100002-10





PARTS LIST FOR: Hedge Trimmer – Type No. HTR100002-10

Item	Part No	Description	Qty
1	1222 – 1004	Clutch Drum	1
2	1382 – 1012	Gear Case	1
3	1382 – 1013	Cam Case	1
4	1382 – 1014	Cam Case Cover	1
5	1103 – 1003	Grease Nipple	1
6	0305 – 6001	Ball Bearing (600100)	2
7	1207 – 1017	Pinion Gear	1
8	1207 – 1018	Gear	1
9	1252 – 1015	Gear Shaft	1
10	1131 – 1003	Key	1
11	0302 – 6001	Ball Bearing (6001Z)	2
12	0151 – 050	Sorubg Washer	4
13	0015 – 0515	Socket Bolt	4
14	1254 – 1002	Cam Rod Assembly	2
15	1263 – 1003	Needle Roller Bearing	2
16	1255 – 1002	Cam Rod	2
17	1217 – 1001	Cam	1
18	1102 – 1022	Cam Screw	1
19	1475 – 1003	Guide Plate, Upper	1
20	0151 – 0500	Spring Washer	2
21	0015 – 0530	Socket Bolt	2
22	1117 – 0100	Dollar	2
23	1475 – 1004	Guide Plate, Lower	1
24	0015 – 0530	Screw	2
25	1153 – 1005	Felt Packing	1
26	0151 – 0500	Spring Washer	6
27	0015 – 0545	Socket Bolt	4
28	0015 – 0515	Socket Bolt	2
29	1474 – 1003	Blade Guide	1
30	1442 – 1013	Blade, Upper	1
31	1442 – 1010	Blade, Lower	1
32	1101 – 1009	Blade Bolt (A)	4
33	1111 – 1012	Blade Washer	5
34	0151 – 1600	Spring Washer	4
35	1106 – 1008	Cap U Nut	4

Item	Part No	Description	Qty
36	1101 – 1012	Blade Bolt (B)	1
37	1601 – 1018	Right Handle Assembly	1
38	1602 – 1013	Right Handle	1
39	1604 – 1013	Grip	12
40	0152 – 1600	Plain Washer	2
41	0151 – 0600	Spring Washer	2
42	1106 – 1008	Cap U Nut	2
43	0152 – 06600	Plain Washer	2
44	0151 – 0600	Spring Washer	2
45	0106 – 0600	Cap Nut	2
46	1601 – 1019	Left Handle (NV Type)	1
47	1551 – 1002	Handle Joint (A)	1
48	1551 – 1003	Handle Joint (B)	1
49	1101 – 1013	Handle Bolt	2
50	1644 – 1001	Cable Band	1
51	1611 – 1023	Throttle lever (N Type)	1
52	1611 – 1027	Throttle Lever (V Type)	1
53	K92110 – 2093	Socket Wrench	1
54	K92107 – 2057	Screwdriver	1
55	1991 – 1004	Spanner	1
56	1991 – 1005	Hexagon Wrench Key	1
57	1491 – 1001	Blade Cover	1
59	1601 – 1074	Left Handle (D Type)	1
60	1611 – 1071	Throttle Lever (D Type)	1
61	1644 – 1013	Coil Tube (D Type)	1
62	1368 – 1001	Engine Base	1
63	0151 – 0500	SpringWasher	4
64	0015 – 0520	Socket Bolt	4
OPTIONAL			
58	1472 – 12012	Blade Holder	1

Item	Part No	Description	Qty